



浙江高翔工贸有限公司

地址: 浙江省绍兴市高翔路58号
电话: 0575-83044833 83360116
传真: 0575-83040663
邮编: 312400

Zhejiang Gaoxiang Industry Trading Co.,Ltd

Add: NO58,Gaoxiang Road,shengzhou City
Tel: 0575-83044833 83360116
Fax: 0575-83040663
P.C: 312400



Http:www.zjgaoxiang.com E-mail:gxzl@zjgaoxiang.com



2017年版
参数如有修改或更新恕不通知

浙江高翔工贸有限公司
ZHEJIANG GAOXIANG INDUSTRY & TRADE CO., LTD

目录 CONTENTS

FNH型冷凝器 FNH TYPE CONDENSER	21
FNU型冷凝器 FNH TYPE CONDENSER	22
GP型冷凝器 GP TYPE CONDENSER	26
FNV、FNVB型冷凝器 FNV、FNVB TYPE CONDENSER	29

产品特点

Products features

风冷冷凝器是一种配套于氟利昂制冷设备用的利用空气进行冷却的散热设备。我公司生产的风冷冷凝器主要有四种形式：FNH型、FNV型、FNVB型、GP型，FNH型采用侧吹风的形式，FNV型、FNVB型、FNU型、GP型采用顶吹风的形式。

Air-cooled condenser is a radiator in freon refrigerating equipment, which used in air cooling. air-cooled condensers has 4 types, including FNH type, FNV type, FNVB type and GP type. FNH type makes use of lateral air blows; FNV type and FNVB type and FNU type are top air blows; GP type is horizontal air blows.

该系列产品具有如下特点:

This series product is equipped with features as follows

- 外壳采用优质钢板，表面喷塑，耐腐蚀，外形美观；
 - 盘管采用铜管错排方式，利用机械胀管，使铜管与翅片紧密结合，换热效果好；
 - 产品经过2.5MPa的气密性试验及系统排污处理；
 - 可适用于R22、R134a、R404a、R407c等制冷剂；
 - FNH型冷凝器均采用大流量、低转速的电机，具有噪音小，外形美观，可广泛配套于噪音要求较高的制冷设备中使用；
 - FNV型冷凝器具有迎风面大，换热效果好，均配有低噪音电机，可广泛配套于较大的冷凝机组中使用。
- The shell is made of quality steel plate; sprayed plastic surface is anti-corrosive, and its appearance is handsome.
 - Coiled pipes are mechanical expanding tubes in staggered arrangement; therefore, copper tubes and fins are Combined closely, and ensure good effect of heat exchange.
 - This product has passed 2.5 mpa air-tightness test and treatment of system waste.
 - It is applicable to such refrigerant as R22, R134a, R404a and R407c, etc.
 - All FNH type condensers use motors that boast large air volume and low rotating speed. therefore, the condensers have low noise and nice appearance, and can be widely used in those refrigerating equipment that have strict requirements of noise.
 - FNV type condensers have low noise motors, large windward sides and favorable heat exchanging effect. They are widely used in relatively large condensing units.

型号说明 Model description:



FNV - 39/110

- 换热面积m² Heat exchange area(m²)
- 名义换热量KW Nominl heat exchange quantity(KW)
- 风冷冷凝器代号 H:标准型 V:顶出风型 VB:带机箱型
Code of air-cooling condenser
H:standerd type V:top air blow type VB:box type
- 产品系列代号 Code of product series



GP - 08 B / 2 6 6

- 铜管排数 Row number of copper tubes
- 风机数量 Quantity of fans
- 风机排数 Row number of fans
- 电机级数 (B=6极 C=8级)
Number of poles in motor (B=6poles C=8poles)
- 风机直径 Diameter of fan
- 平板式冷凝器 Flat-plate condensers
- 高翔牌 GAOXIANG brand

FNH型冷凝器技术参数

Technical parameters of FNH type condenser

型号规格 Model Specifications	主要参数 Main parameters		风扇电机参数 Parameters of fan motor				接口管径 Caliber of connecting tube		类别 Category	
	排热量 $\Delta t=15k(KW)$ Heat removal quantity	冷凝面积 Condensing area	风叶直径 Diameter of fan blade	数量 Quantity	总风量 Total air volume	功率 Power	电压 Voltage	进口 Inlet		出口 Outlet
FNH-0.7/2	710	2.0	200	1	430	33	220	10	10	This company can design and produce special non-standard products for customers 本公司可为用户特殊设计加工非标产品
FNH-1.2/3.4	1217	3.4	200	1	430	33	220	10	10	
FNH-1.4/4.0	1440	4.0	200	1	430	33	220	10	10	
FNH-1.6/4.4	1566	4.4	250	1	910	60	220	10	10	
FNH-1.9/5.2	1856	5.2	300	1	1530	75	220	10	10	
FNH-2.9/8	2864	8.0	300	1	1530	75	220	12	12	
FNH-3.0/8.4	3007	8.4	300	1	1530	75	220	12	12	
FNH-3.8/10.6	3816	10.6	300	1	1530	75	220	12	12	
FNH-3.6/10	3550	10	350	1	1800	90	380	16	12	
FNH-4.3/12	4296	12	350	1	1800	120	380	16	12	
FNH-5.4/15	5355	15	350	1	1800	120	380	16	12	
FNH-6.4/18	6408	18	400	1	3000	120	380	16	12	
FNH-7.9/22A	7876	22	400	1	3000	120	380	16	12	
FNH-10/27	9610	27	400	1	3000	120	380	19	16	
FNH-7.9/22B	7876	22	350	2	3600	2×120	380	16	12	
FNH-10/28	9968	28	350	2	3600	2×120	380	19	14	
FNH-12/33	11880	33	400	2	6000	2×120	380	19	14	
FNH-15/42	15036	42	400	2	6000	2×120	380	19	16	
FNH-19/52	18668	52	400	2	6000	2×120	380	19	16	
FNH-21/60	21360	60	450	2	9000	2×180	380	22	19	
FNH-25/70	24640	70	450	2	9000	2×180	380	25	19	
FNH-28/80	28240	80	450	2	9000	2×180	380	25	19	
FNH-35/100	35400	100	500	2	13140	2×450	380	25	19	
FNH-39/110	39050	110	500	2	13140	2×450	380	32	19	
FNH-42/120	42240	120	550	2	17440	2×600	380	32	19	
FNH-48/135	47799	135	550	2	17440	2×600	380	32	19	
FNH-55/155	55025	155	600	2	21640	2×780	380	32	22	
FNH-60/170	59500	170	600	2	21640	2×780	380	32	22	

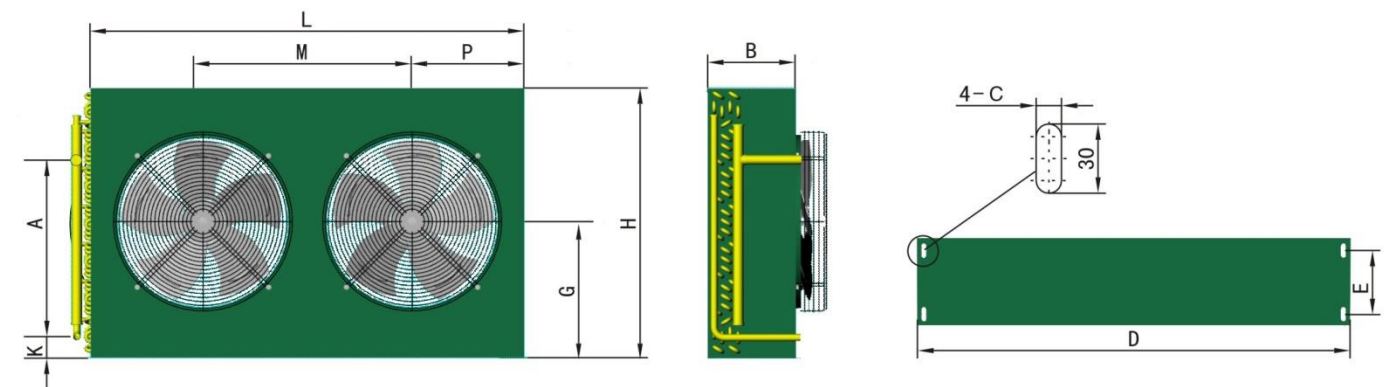


- 采用高效能的换热盘管，清洁、干燥；
- 铝翅片冲孔为“L”行延伸翻片，胀管后紧密接触换热效率高；
- 冷凝器设计宽度合理，风叶与铝翅片间距均大于1/3风叶直径确保运行有足够的迎风面积；
- 外壳采用喷塑处理，防腐耐用；
- 特殊用途的产品请与高翔公司各经销处联系。
- Heat-exchanging coiled pipes are highly efficient, clean and dry
- Punched holes of aluminum fins are extending along "L" row, after tube expansion, they are connected closely, and thus ensure high efficiency of heat exchange.
- The design width of this condenser is reasonable, space between fan blade and aluminum fin is larger than 1/3 diameter of fan blade, in order to ensure sufficient windward area.
- After plastic-sprayed treatment, the shell is anti-corrosive and durable.
- For special-purpose products, please contact sales agencies of Gaoxiang company.

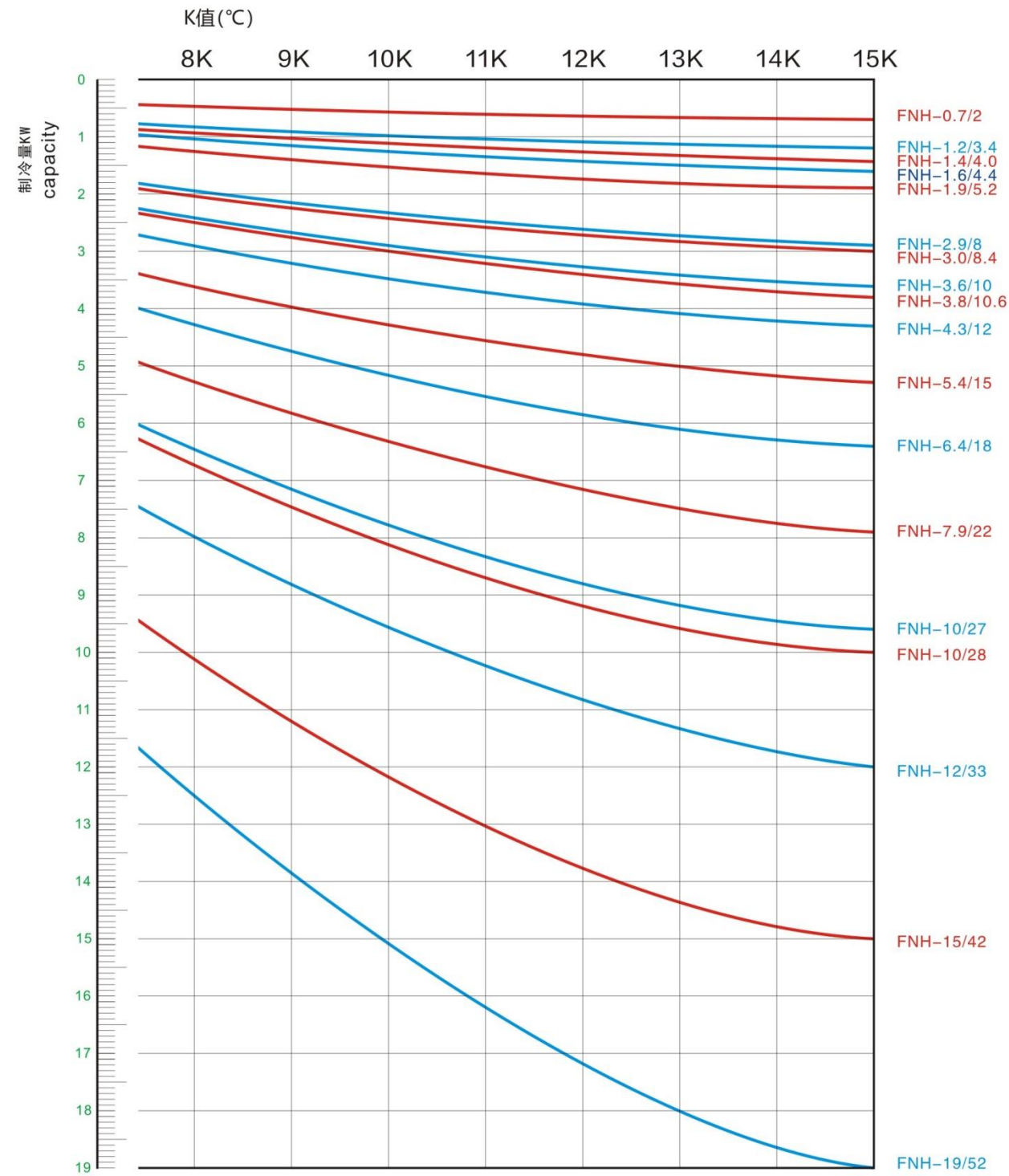
FNH型冷凝器尺寸参数

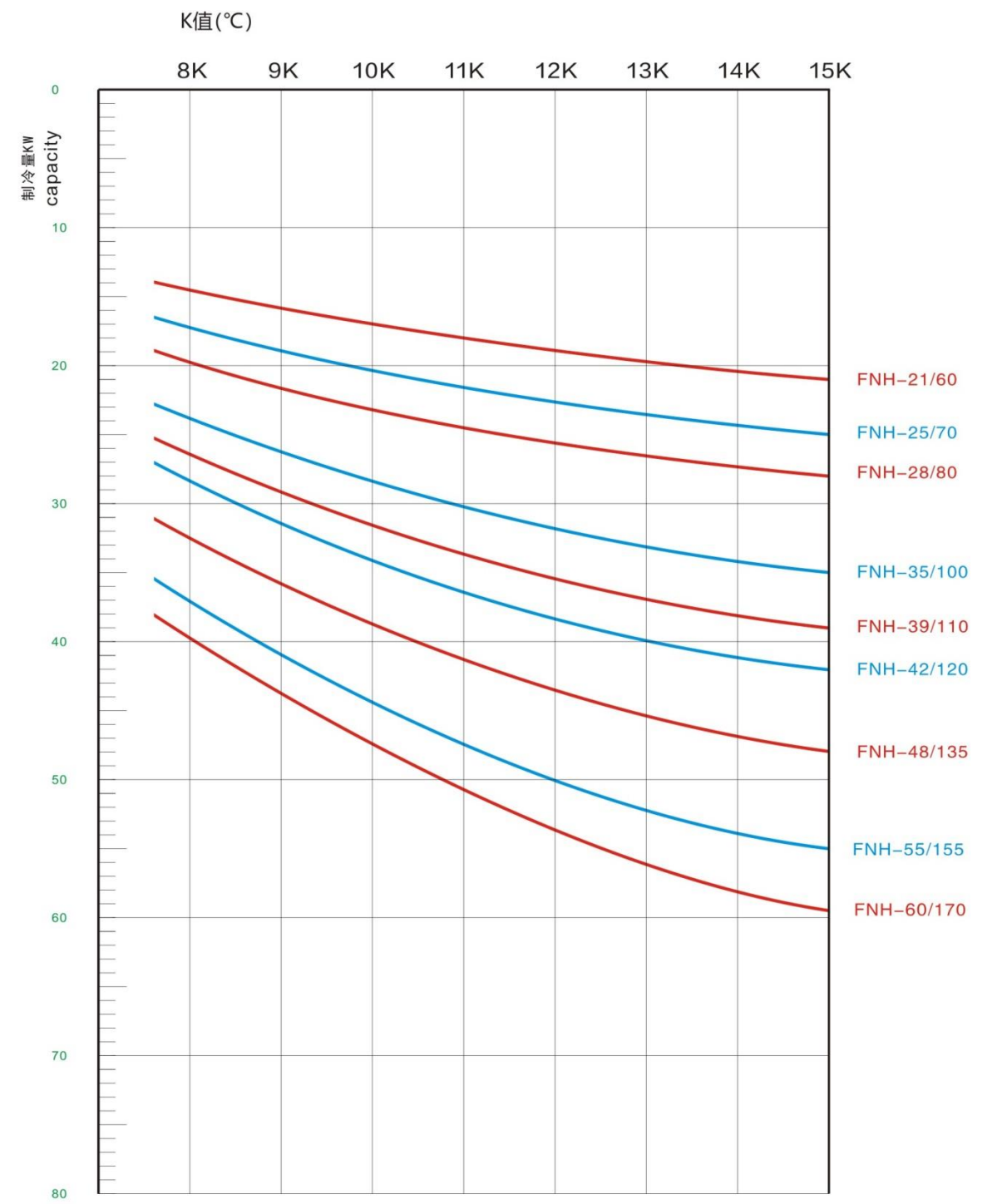
Dimensional parameters of FNH Condenser

型号规格 Model Specifications	铜管 Copper tubes	外型尺寸 Dimensions			安装尺寸 Mounting dimensions			接口尺寸 Coupling dimensions		风扇排列尺寸 Dimensions of fan arrangement			
		排数×环数 Row number Number of rings	L	B	H	D	E	C	A	K	G	P	M
			mm	mm	mm	mm	mm	mm	mm	mm	mm	mm	mm
FNH-0.7/2	2×4	250	120	240	275	70	9	200	24	115	125		
FNH-1.2/3.4	3×4	250	120	240	275	70	9	200	24	115	125		
FNH-1.4/4.0	3×4.5	300	120	255	290	90	7	225	24	128	150		
FNH-1.6/4.4	3×5	325	120	280	350	70	7	250	24	140	162		
FNH-1.9/5.2	3×6	370	130	340	370	100	7	290	25	170	185		
FNH-2.9/8	4×6	370	150	340	370	120	9	290	25	170	185		
FNH-3.0/8.4	3×6	450	170	350	475	120	9	275	44	175	225		
FNH-3.8/10.6	4×6	450	170	350	475	120	9	275	44	175	225		
FNH-3.6/10	3×8	450	170	420	475	120	9	375	30	210	225		
FNH-4.3/12	4×8	440	180	420	430	130	9	320	50	210	220		
FNH-5.4/15	4×9	490	180	470	480	130	9	370	50	235	245		
FNH-6.4/18	4×10	530	180	520	520	130	11	420	50	260	265		
FNH-7.9/22A	5×10	530	200	520	520	150	11	420	50	260	265		
FNH-10/27	6×9	590	240	470	580	190	11	425	35	340	295		
FNH-7.9/22B	4×8	810	180	420	800	130	11	320	50	210	210	390	
FNH-10/28	4×9	890	180	470	880	130	11	420	50	260	230	430	
FNH-12/33	4×10	940	180	520	930	130	11	420	50	260	245	450	
FNH-15/42	5×10	940	200	520	930	150	11	420	50	260	245	450	
FNH-19/52	5×12	940	200	620	930	150	11	500	50	310	245	450	
FNH-21/60	5×12	1160	240	620	1150	170	11	500	50	310	300	560	
FNH-25/70	4×14	1160	240	720	1150	190	11	500	50	360	300	560	
FNH-28/80	4×16	1160	240	820	1150	190	11	500	50	410	300	560	
FNH-35/100	4×17	1350	260	870	1340	210	11	500	50	435	345	660	
FNH-39/110	4×18	1350	260	920	1340	210	11	500	50	460	345	660	
FNH-42/120	4×20	1350	260	1020	1340	210	11	500	50	510	345	660	
FNH-48/135	5×18	1350	260	920	1340	210	11	500	50	460	345	660	
FNH-55/155	5×20	1400	300	1020	1390	250	11	500	50	510	360	680	
FNH-60/170	5×22	1400	300	1120	1390	250	11	500	50	560	360	680	



FNH型冷凝器
 FNH选型图表

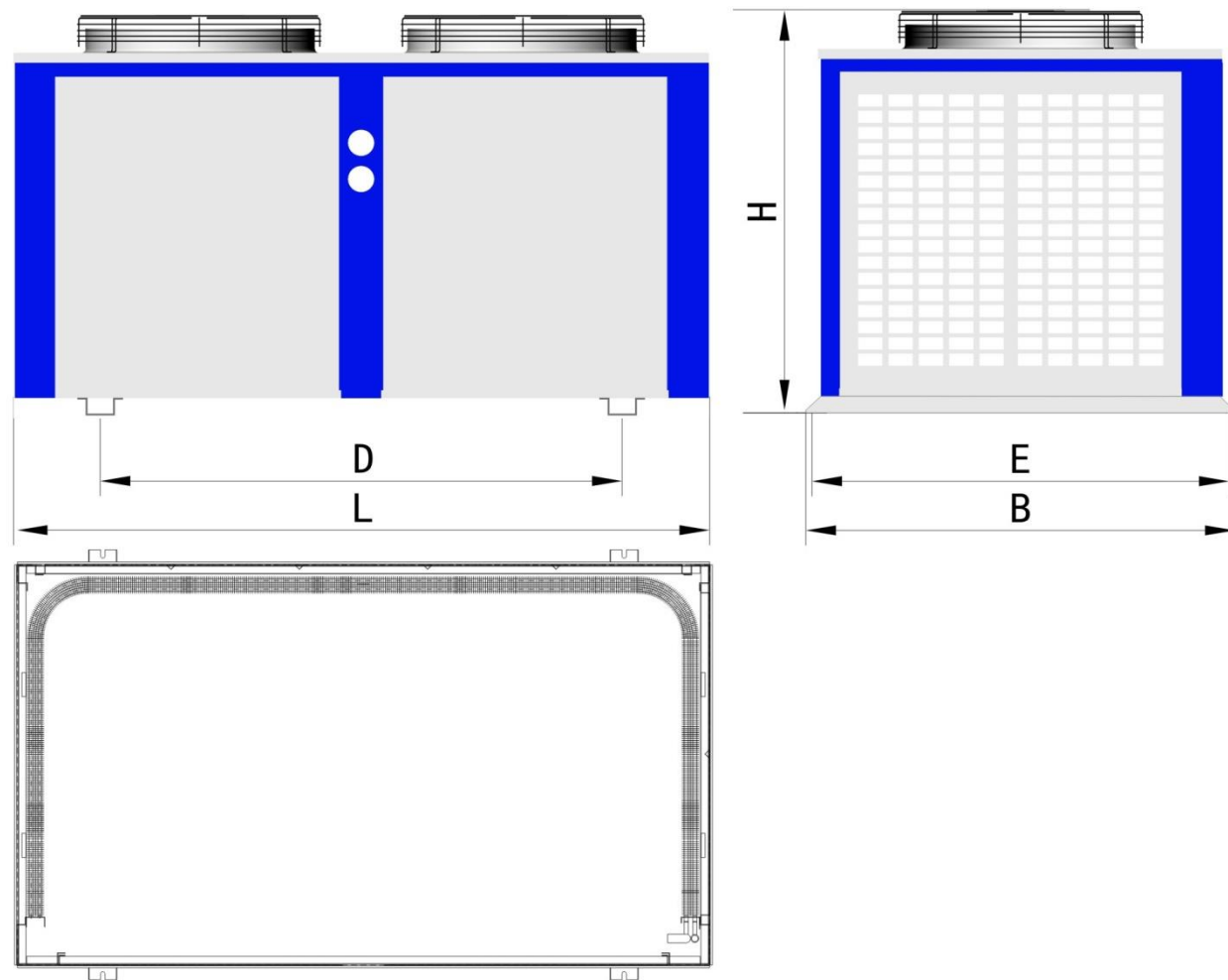
 FNH Type Condenser
 FNH Type Selection

 FNH型冷凝器
 FNH选型图表

 FNH Type Condenser
 FNH Type Selection


FNU型冷凝器技术参数

Technical parameters of FNU type condenser

型号规格 Model Specifications	排热量 $\Delta t=15k(KW)$ Heat removal quantity	换热面积 Heat-exchange area	风机 Fan					进气管 直径 Diameter of inlet tube	出气管 直径 Diameter of outlet tube	外型尺寸 Dimensions			安装尺寸 Mounting dimensions	
			数量 Quantity	风叶直径 Diameter of fan blade	风量 Air volume	功率 Power	电压 Voltage			L	B	H	D	E
FNU-10/28	9968	28	1	4D450	5000	290	380	19	14	870	670	690	510	840
FNU-12/33	11880	33	1	4D450	5000	290	380	19	14	870	670	690	510	840
FNU-15/42	15036	42	1	4D450	6570	380	380	19	16	920	770	690	610	890
FNU-18/50	17950	50	1	4D500	8720	600	380	22	16	900	770	900	610	870
FNU-21/60	21360	60	1	4D550	8720	600	380	22	16	900	770	900	610	870
FNU-25/70	24640	70	1	4D550	8720	600	380	22	16	900	770	1000	610	840
FNU-28/80	28240	80	2	4D450	2×5000	2×290	380	22	16	1330	850	890	900	820
FNU-31/90	30500	90	2	4D500	2×6570	2×380	380	22	16	1330	950	890	900	920
FNU-35/100	35400	100	2	4D500	2×6570	2×380	380	22	16	1330	950	990	900	920
FNU-39/110	39050	110	1	4D500	2×6570	2×380	380	22	16	1480	950	990	900	920
FNU-42/120	42240	120	1	4D550	2×8720	2×600	380	25	19	1730	1050	1000	1300	1020
FNU-46/130	46028	130	1	4D550	2×8720	2×600	380	25	19	1730	1050	1000	1300	1020



GP型冷凝器技术参数

Technical parameters of GP type condenser

型号规格 Model Specifications	电机接线 Wiring of motor	冷凝热量 Condenser heat	空气流量 Air flow	风机转速 Rotating speed of fan	总功率 Current	总电流 Total current	声压级(10m) 10m sound pressure level(10m)	管接口 Connecting tube		
									$\Delta t=15k(KW)$	m ³ /h
单风机 Single fan	GP	08B/116	三角Triangle	66	18660	890	1800	3.8	52	42/35
		Y型Y type	60	14140	660	1150	2.2	46		
08C/116	三角Triangle	58	14770	670	800	1.95	45	42/35		
	Y型Y type	48	12200	670	490	1.0	41			
双风机 Double fan	08B/125	三角Triangle	109	39000	890	3600	7.6	54	42/35	
		Y型Y type	99	29680	660	3600	7.6	48		
	08C/125	三角Triangle	96	30120	670	1600	3.9	47	42/35	
		Y型Y type	79	24920	670	1600	3.9	43		
	08B/126	三角Triangle	132	37320	890	2300	4.4	54	54/42	
		Y型Y type	120	28280	660	2300	4.4	48		
08C/126	三角Triangle	116	24400	670	980	2	47	54/42		
	Y型Y type	96	45180	670	980	2	43			
三风机 Triple fan	08B/135	三角Triangle	165	58500	890	5400	11.4	56	54/42	
		Y型Y type	150	44520	660	5400	11.4	50		
	08C/135	三角Triangle	145	37380	670	2400	5.85	49	54/42	
		Y型Y type	120	44310	670	2400	5.85	45		
	08B/136	三角Triangle	198	55980	890	3450	6.6	56	54/42	
		Y型Y type	180	42420	660	3450	6.6	50		
08C/136	三角Triangle	174	36600	510	2400	3	49	54/42		
	Y型Y type	144	56080	510	1470	3	45			
四风机 Fourfold fan	08B/146	三角Triangle	264	74640	890	7200	15.2	57	67/54	
		Y型Y type	240	56560	660	4600	8.8	51		
	08C/146	三角Triangle	232	48800	510	1470	7.8	50	67/54	
		Y型Y type	192	88740	510	3200	4	46		
六风机 Sixtule fan	08B/265	三角Triangle	330	115070	890	10800	22.8	59	2×67/54	
		Y型Y type	300	87100	660	10800	13.2	53		
	08C/265	三角Triangle	290	70750	510	1960	11.7	52	2×67/54	
		Y型Y type	240	86000	510	4800	11.7	48		
	08B/266	三角Triangle	396	109620	890	6900	22.8	59	2×67/54	
		Y型Y type	360	79020	660	6900	13.2	53		
08C/266	三角Triangle	348	67330	510	4800	6	52	2×67/54		
	Y型Y type	288	29540	510	2940	6	48			

常用数据 frequently-used data

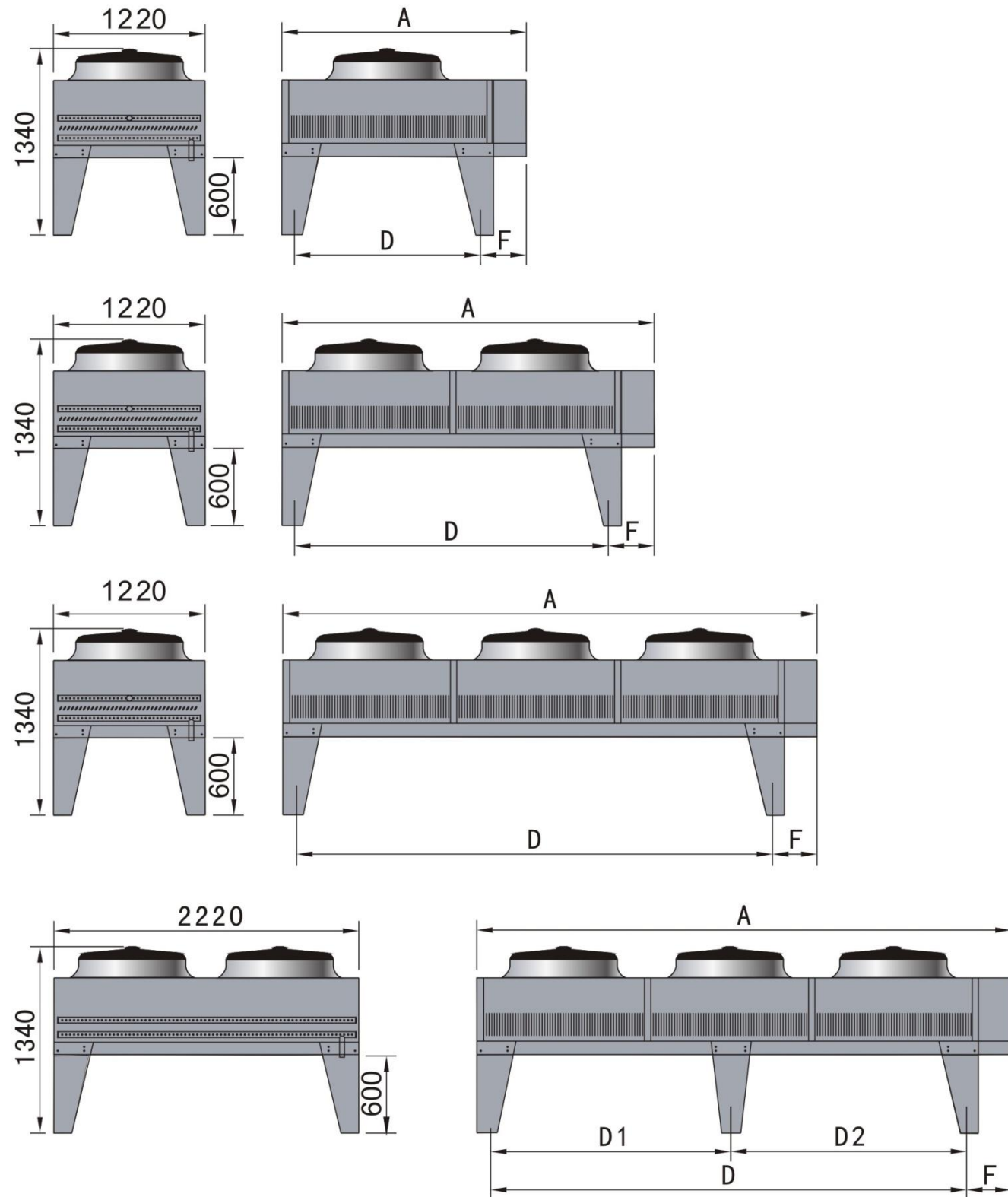
风机直径Diameter of fan		1×800	2×800	2×800	3×800	3×800	4×800	6×800	6×800
换热面积Heat-exchange area	m ²	200	330	400	500	600	800	1000	1200
内容积Internal volume	L	19	31	38	46	55	73	92	110
毛重Gross weight	kg	182	308	326	470	497	646	860	910
A	mm	1600	2900	2900	4200	4200	5500	4200	4200
D	mm	1250	2550	2550	3850	3850	5150	3850	3850
D1	mm							1925	1925
D2	m ²							1925	1925

- 引进、吸收欧美知名品牌的先进技术，专为商业冷冻和空调设备而设计。
- 选用高效能的换热盘管；
- 采用进口外转子风机，风量大、噪音低、耗电省；
- 外壳采用优质镀锌板，喷油漆处理，防腐耐用；
- 特殊用途的产品请与高翔公司各经销处联系。

- Absorb advanced technology of famous European and American brands, specialized design for commercial freezers and air conditioning equipment;
- Highly efficient heat-exchanging coiled pipes;
- Imported external rotor fans with large air volume, low noise and less power consumption;
- The shell is made of quality galvanized plate; plastic-sprayed surface is anti-corrosive and durable;
- For special-purpose products, please contact sales agencies of Gaoxiang company.

GP型冷凝器外形尺寸图

Overall Dimension Diagram of GP Type Condenser

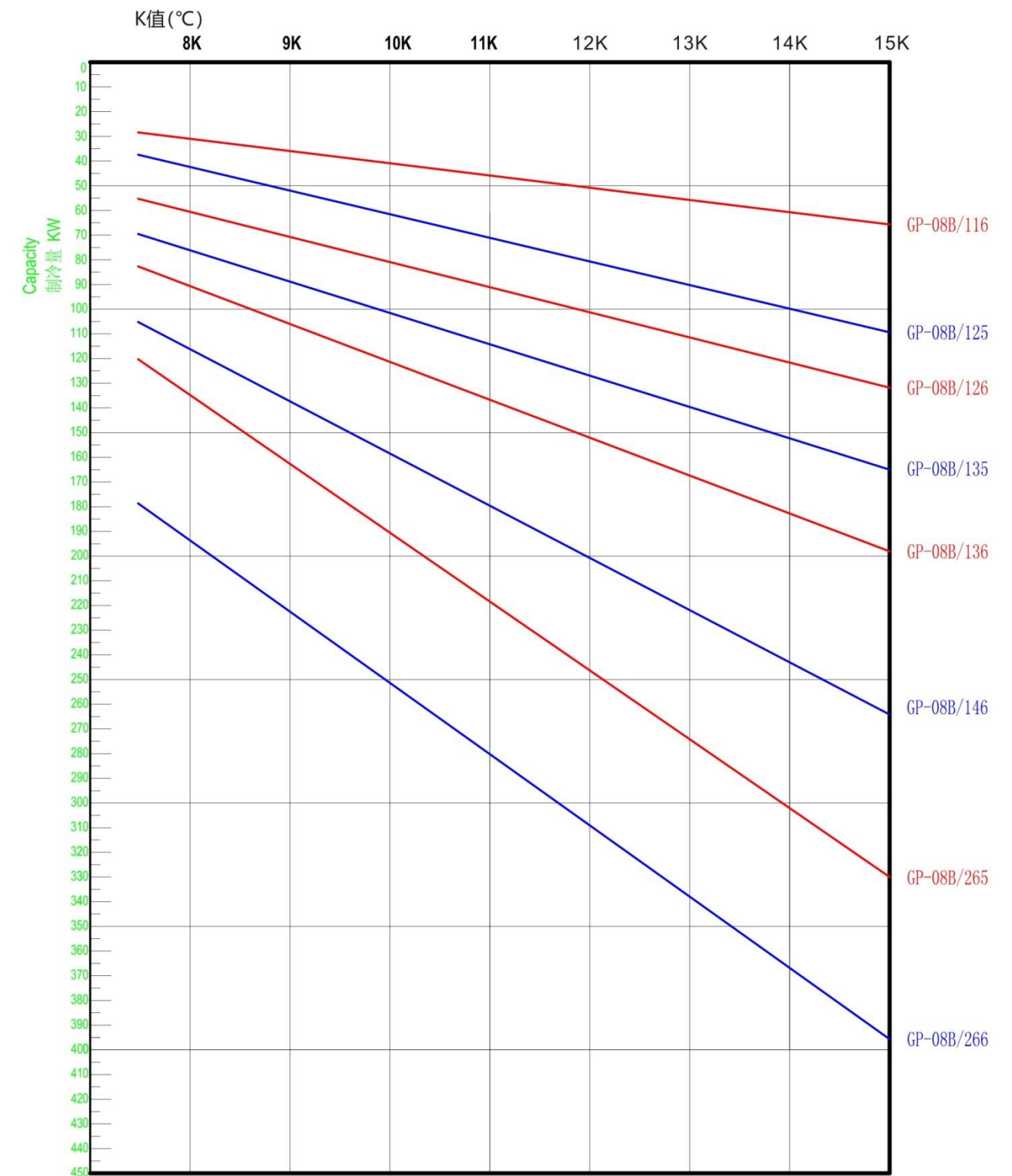


GP型冷凝器

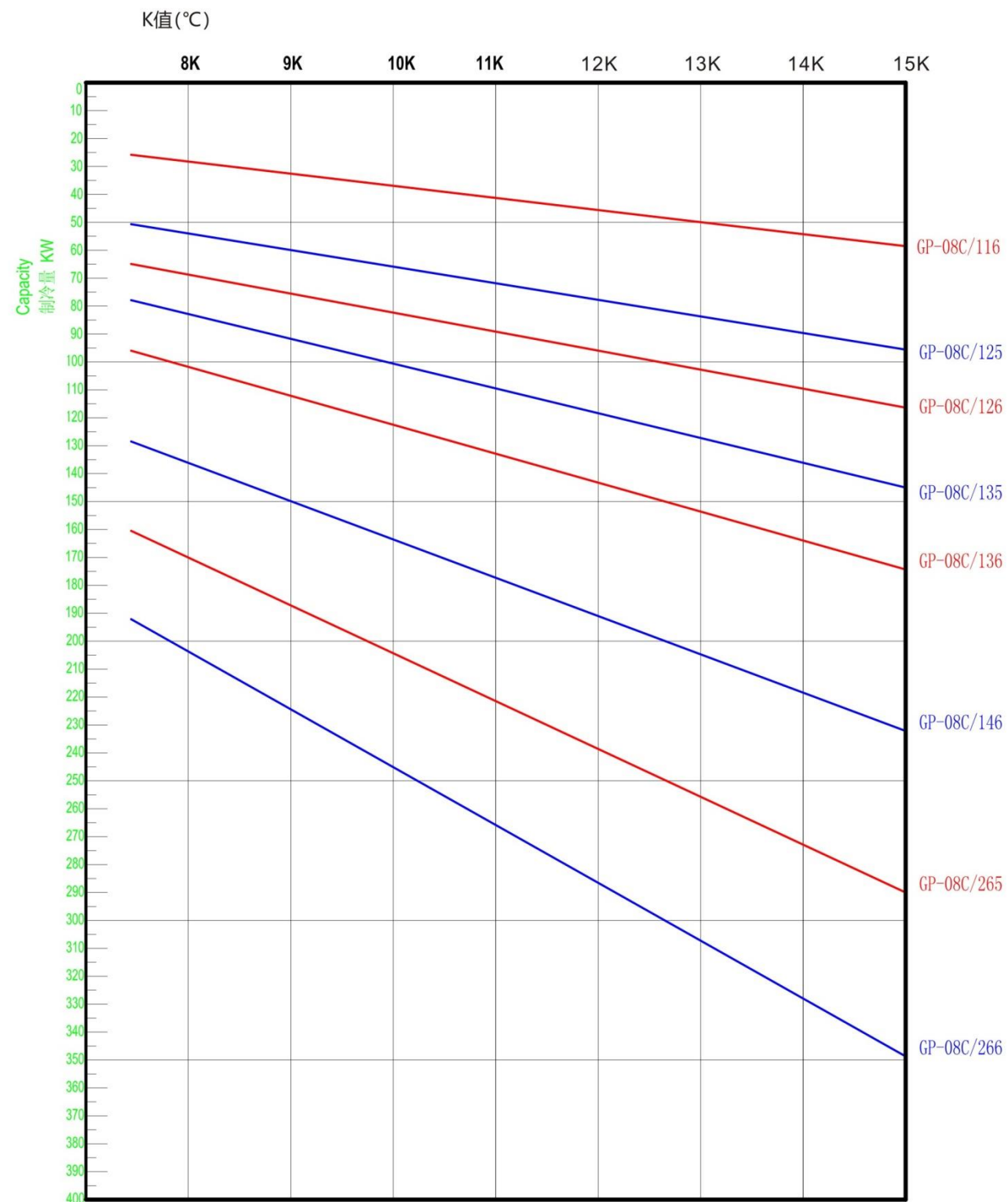
GP-08B型选型图表

GP Type Condenser

GP-08B Type Selection



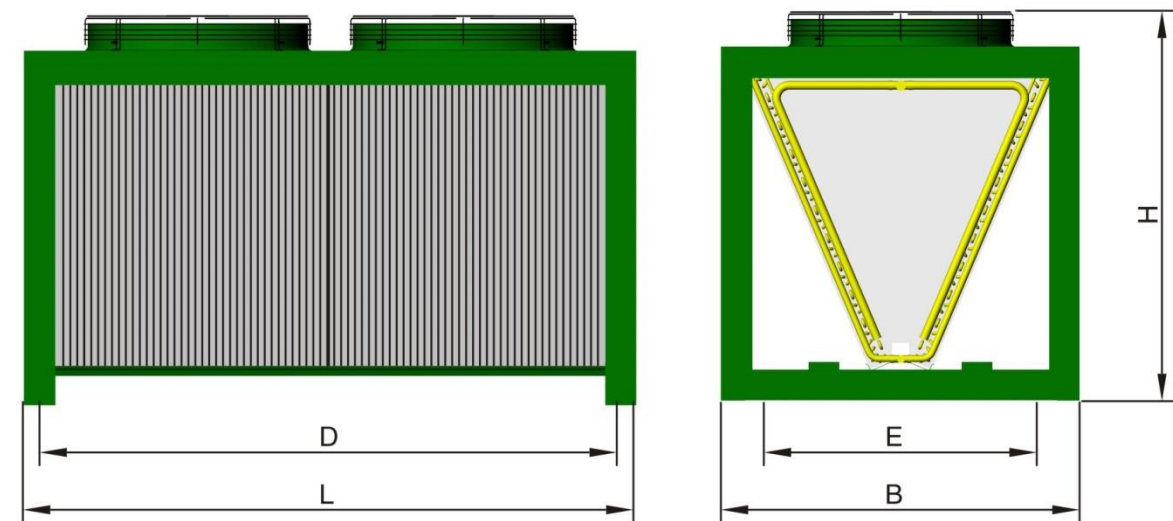
GP型冷凝器
GP-08C型选型图表

GP Type Condenser
GP-08C Type Selection

FNV型冷凝器技术参数

Technical parameters of FNV type condenser

型号规格 Model Specifications	排热量 $\Delta t=15k(KW)$ Heat removal quantity	换热面积 Heat-exchange area	风机 Fan				进气管 直径 Diameter of inlet tube	出气管 直径 Diameter of outlet tube	外型尺寸 Dimensions			安装尺寸 Mounting dimensions		
			数量 Quantity	风叶直径 Diameter of fan blade	风量 Air volume	功率 Power			电压 Voltage	L	B	H	D	E
	W	m ²	N	mm	m ³ /h	W	V	mm	mm	mm	mm	mm	mm	mm
FNV-25/72	24840	72	1	4D550	8720	600	380	22	16	950	900	880	870	650
FNV-30/87	30102	87	1	4D600	10820	780	380	25	16	1100	1000	860	1020	750
FNV-39/110	39050	110	2	4D500	2×6570	2×450	380	25	16	1400	900	880	1320	650
FNV-45/130	44850	130	2	4D550	2×8720	2×600	380	28	19	1550	900	880	1470	650
FNV-55/155	55025	155	2	4D550	2×8720	2×600	380	28	19	1600	1000	980	1520	750
FNV-64/185	63825	185	2	4D600	2×10820	2×780	380	28	22	1700	1000	1080	1620	750
FNV-73/210	72660	210	2	4D630	2×12200	2×800	380	32	22	1750	1000	1180	1670	750
FNV-83/240	82800	240	2	Φ700	2×15000	2×750	380	32	22	1900	1175	1260	1820	925
FNV-104/300	103800	300	2	Φ750	2×19000	2×1100	380	35	25	2250	1175	1260	2170	925
FNV-111/320	111040	320	2	Φ750	2×19000	2×1100	380	38	25	2350	1175	1260	2270	925
FNV-125/360	124560	360	3	Φ650	3×13200	3×550	380	42	28	2650	1175	1260	2570	925
FNV-138/400	138400	400	3	Φ700	3×15000	3×750	380	42	28	2950	1175	1260	2870	925
FNV-166/480	165600	480	3	Φ750	3×19000	3×1100	380	54	28	3400	1175	1260	3320	925

 注：210m²以下采用四极外转子风机,240m²以上采用六极轴流风机。

 Note: four-pole external rotor fans shall be used for the heat-exchange area less than 210m². And six-pole axial flow fans shall be used for the heat-exchange area more than 240m².


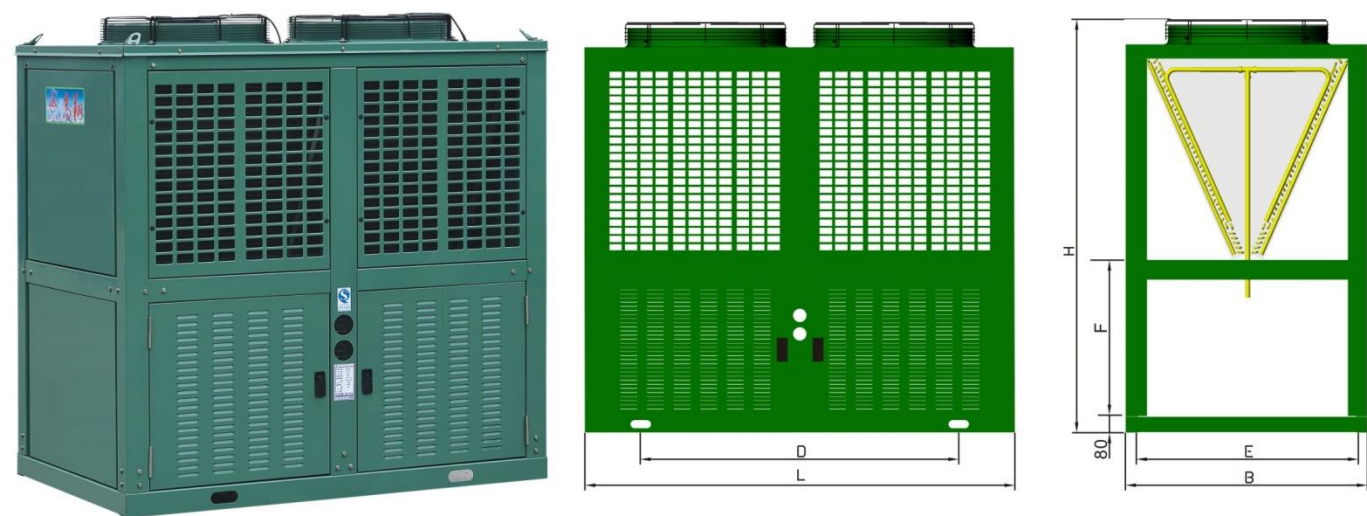
- 引进、吸收欧美知名品牌的先进技术，专为商业冷冻和空调设备而设计的；
- 选用高效能的换热盘管；
- 采用FZL系列轴流风机，风量大、噪音低、耗电省；
- 外壳采用优质镀锌板，喷塑处，防腐耐用；
- 特殊用途的产品请与高翔公司各经销处联系。

- Absorb advanced technology of famous European and American brands, specialized design for commercial freezers and air conditioning equipment;
- Highly efficient heat-exchanging coiled pipes;
- FZL series axial flow fan with large air volume, low noise and less power consumption;
- High quality galvanized sheet with plastic coating treatment, the shell is anti-corrosive and durable;
- For special-purpose products, please contact sales agencies of GaoXing company.

FNVB型冷凝器技术参数

Technical parameters of FNVB type condenser

型号规格 Model Specifications	排热量 $\Delta t=15k(KW)$ Heat removal quantity	换热面积 Heat-exchange area	风机 Fan				进气管 直径 Diameter of inlet tube	出气管 直径 Diameter of outlet tube	外型尺寸 Dimensions				安装尺寸 Mounting dimensions		
			数量 Quantity	风叶直径 Diameter of fan blade	风量 Air volume	功率 Power			电压 Voltage	L	B	H	F	D	E
FNVB-25/72	24840	72	1	Φ550	8720	600	380	22	16	950	900	1490	630	550	820
FNVB-30/87	30102	87	1	Φ600	10820	780	380	25	16	1100	1000	1500	630	600	820
FNVB-39/110	39050	110	2	Φ500	2×6570	2×450	380	25	16	1400	900	1490	630	900	820
FNVB-45/130	44850	130	2	Φ550	2×8720	2×600	380	28	19	1550	900	1490	630	900	820
FNVB-55/155	55025	155	2	Φ550	2×8720	2×600	380	28	19	1600	1000	1650	700	900	920
FNVB-64/185	63825	185	2	Φ600	2×10820	2×780	380	28	22	1700	1000	1780	715	1000	920
FNVB-73/210	72660	210	2	Φ630	2×12200	2×800	380	32	22	1750	1000	1880	715	1050	920
FNVB-83/240	82800	240	2	Φ700	2×15000	2×750	380	32	22	1900	1175	1980	735	1200	1100
FNVB-104/300	103800	300	2	Φ750	2×19000	2×1100	380	35	25	2250	1175	1980	735	1550	1100
FNVB-111/320	111040	320	2	Φ750	2×19000	2×1100	380	38	25	2350	1175	1980	735	1650	1100
FNVB-125/360	124560	360	3	Φ650	3×13200	3×550	380	42	28	2650	1175	1980	735	1950	1100
FNVB-138/400	138400	400	3	Φ700	3×15000	3×750	380	42	28	2950	1175	1980	735	2250	1100
FNVB-166/480	165600	480	3	Φ750	3×19000	3×1100	380	54	28	3400	1175	1980	735	2700	1100



V型冷凝器

FNV型选型图表

V Type Condenser

FNV Type Selection

