



2017年版
参数如有修改或更新恕不通知

浙江高翔工贸有限公司

ZHEJIANG GAOXIANG INDUSTRY & TRADE CO., LTD

浙江高翔工贸有限公司

地址：浙江省绍兴市高翔路58号
电话：0575-83044833 83360116
传真：0575-83040663
邮编：312400

Zhejiang Gaoxiang Industry Trading Co., Ltd

Add: NO58, Gaoxiang Road, Shengzhou City
Tel: 0575-83044833 83360116
Fax: 0575-83040663
P.C: 312400

ГаоСянпромышленности и торговли
который присужден чжэцзян

Адрес: 58 Shengzhou Road, ГаоСян
Тел: 0575-8,304,483,383,360,116
Факс: 0575-83040663
Почтовый индекс: 312400



Http: www.zjgaoxiang.com E-mail: gxzl@zjgaoxiang.com

冷凝机组产品目录
Condensing Unit Catalogue



GAOXIANG

GAOXIANG COLD CHAIN 高翔冷链

高翔



浙江高翔工贸有限公司
ZHEJIANG GAOXIANG INDUSTRY & TRADE CO., LTD



L型箱式机组
L TYPE BOX-TYPE UNITS



U型箱式机组
U TYPE BOX-TYPE UNITS



V型箱式机组
V TYPE BOX-TYPE UNITS



水冷机组
WATER-COOLED UNITS



并联机组
PARALLEL UNITS



并联机组
PARALLEL UNITS

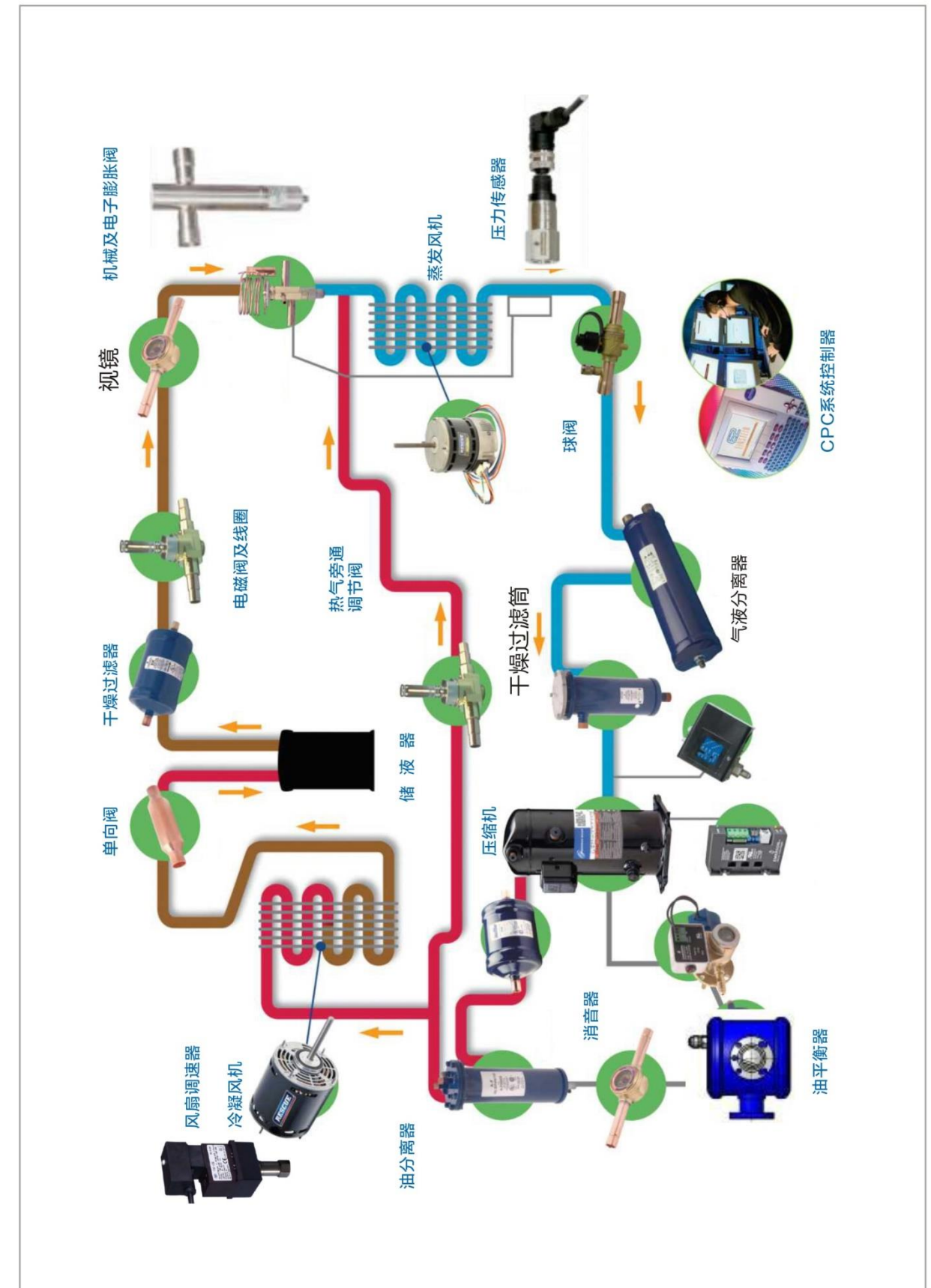
国际权威认证 专业品质保障

International Authoritative Certification Professional Quality Guarantee



制冷系统示意图——产品综述

REFRIGERATING SYSTEM DIAGRAM—PRODUCT DESCRIPTION



目录 CONTENTS

高翔牌全封闭风冷机组 GAO XIANG HERMETIC AIR-COOLED UNITS	13
高翔牌全封闭水冷机组 GAO XIANG HERMETIC WATER-COOLED UNITS	19
高翔牌半封闭风冷机组 GAO XIANG SEMI-HERMETIC AIR-COOLED UNITS	29
高翔牌半封闭水冷机组 GAO XIANG SEMI-HERMETIC WATER-COOLED UNITS	39
高翔牌活塞并联机组 GAOXIANG PISTON COMPRESSOR PARALLEL UNITS	48
高翔牌螺杆机组 GAOXIANG SCREW COMPRESSOR UNITS	62
组合冷库 PRE-FAB COLD STORE	63

产品特点

Products features

- 选用国际品牌制冷压缩机，质量好，可靠性高、噪音低、效率高。
- 采用铜管铝片式冷凝器，换热效率高，使用寿命长。
- Select international brand comprssor,good quality,high reliability,low noise and high efficiency.
- Adopt copper tubes and aluminum fins condensers, efficiency of heat exchange and long service life.



型号说明 Model description:

G X W 5 C B F G S

- 表示双极 Symbolized two-stage
- 工作温度 G高 Z中 D低 Working temperature G-high Z-medium D-low
- 冷却方式 F表示风冷 水冷不表示 Cooling mode F-air-cooled Water-cooled is not shown
- 压缩机头 B表示半封闭 Q表示全封闭 Compressor B-semi-hermetic Q-hermetic
- C表示谷轮 B表示比泽尔 Y表示英华特 H表示汉钟
- 名义马力 Nominal power
- W室外 N室内 W-outdoor N-indoor
- 高翔牌 GAOXIANG brand

中高温风冷冷凝机组

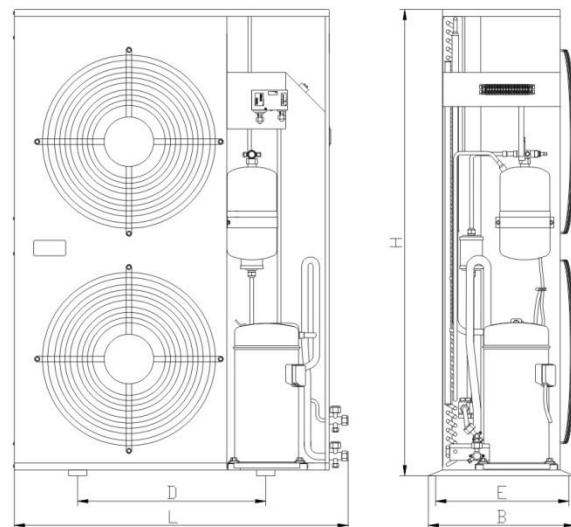
Medium and High Temperature Air-cooled Condensing Unit

机组型号 Model of units		GXW2CQFZG	GXW3CQFZG	GXW4CQFZG	GXW5CQFZG	GXW6CQFZG	
适用蒸发温度(°C) Applicable Temperature(°C)		+10~-15°C					
制冷剂 Refrigerant		R22					
电源 Power supply		220V/380V50Hz			380V50Hz		
冷凝器 Condenser	风机数量(只) Quantity of Fan(piece)	1	1	2	2	2	
	风量(m³/h) Air volume(m³/h)	1×3200	1×3200	2×3200	2×3200	2×3200	
	风机功率(W) Power of Fan(W)	1×60	1×60	2×60	2×60	2×60	
压缩机组制冷量 Refrigerating capacity of compressor units	蒸发温度 +5°C Evaporating Temperature +5°C	制冷量(W) Cooling capacity	5190	7110	11000	12510	15210
		电功率(W) Power	1820	2590	3300	4260	5080
	蒸发温度 -5°C Evaporating Temperature -5°C	制冷量(W) Cooling capacity	4050	5840	7300	9270	11600
		电功率(W) Power	1860	2530	2980	3780	4680
	蒸发温度 -12°C Evaporating Temperature -12°C	制冷量(W) Cooling capacity	2930	4050	5450	6880	8790
		电功率(W) Power	1890	2530	2790	3400	4230
接口 Coupling	出液管接口 Tube coupling	3/8"	3/8"	1/2"	1/2"	1/2"	
	吸气管接口 Suction coupling	5/8"	5/8"	3/4"	3/4"	3/4"	
外形尺寸 Overall dimensions	长(L) mm Length	970	970	970	970	970	
	宽(B) mm Width	410	410	410	410	410	
	高(H) mm Height	835	835	1330	1330	1330	
安装尺寸 Mounting dimensions	长(D) mm Length	625	625	625	625	625	
	宽(E) mm Width	380	380	380	380	380	

机组标准配置: 压缩机、冷凝器、储液器、压控、压力表、过滤器、电磁阀、接线端子等。
Standard configuration of units: compressor, condenser, liquid receiver, pressure controller, pressure gauge, filter, solenoid valve and wiring box, etc.

说明Note:

- 表中制冷量为环境温度32°C。
- 可根据要求增加配置。
- Cooling capacity in the form is calculated when the ambient temperature is 32°C.
- Configuration can be added according to customers' requirements.



中高温风冷冷凝机组

Medium and High Temperature Air-cooled Condensing Unit

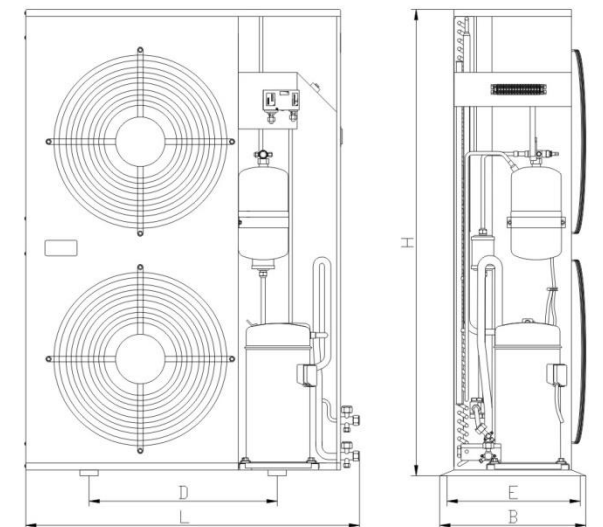
涡旋系列 Scroll Series

机组型号 Model of units		GXW2CQFZG	GXW3CQFZG	GXW4CQFZG	GXW5CQFZG	GXW6CQFZG	
适用蒸发温度(°C) Applicable Temperature(°C)		+10~-15°C					
制冷剂 Refrigerant		R404A					
电源 Power supply		220V/380V50Hz			380V50Hz		
冷凝器 Condenser	风机数量(只) Quantity of Fan(piece)	1	1	2	2	2	
	风量(m³/h) Air volume(m³/h)	1×3200	1×3200	2×3200	2×3200	2×3200	
	风机功率(W) Power of Fan(W)	1×60	1×60	2×60	2×60	2×60	
压缩机组制冷量 Refrigerating capacity of compressor units	蒸发温度 +5°C Evaporating Temperature +5°C	制冷量(W) Cooling capacity	5270	7910	10450	12250	13400
		电功率(W) Power	1920	3020	4100	5440	6130
	蒸发温度 -5°C Evaporating Temperature -5°C	制冷量(W) Cooling capacity	3750	5100	7000	8850	10100
		电功率(W) Power	1990	3100	3900	4700	5820
	蒸发温度 -12°C Evaporating Temperature -12°C	制冷量(W) Cooling capacity	2920	4100	5600	7200	8060
		电功率(W) Power	1910	2980	3700	4480	5370
接口 Coupling	出液管接口 Tube coupling	3/8"	3/8"	1/2"	1/2"	1/2"	
	吸气管接口 Suction coupling	5/8"	5/8"	3/4"	3/4"	3/4"	
外形尺寸 Overall dimensions	长(L) mm Length	970	970	970	970	970	
	宽(B) mm Width	410	410	410	410	410	
	高(H) mm Height	835	835	1330	1330	1330	
安装尺寸 Mounting dimensions	长(D) mm Length	625	625	625	625	625	
	宽(E) mm Width	380	380	380	380	380	

机组标准配置: 压缩机、冷凝器、储液器、压控、压力表、过滤器、电磁阀、接线端子等。
Standard configuration of units: compressor, condenser, liquid receiver, pressure controller, pressure gauge, filter, solenoid valve and wiring box, etc.

说明Note:

- 表中制冷量为环境温度32°C。
- 可根据要求增加配置。
- Cooling capacity in the form is calculated when the ambient temperature is 32°C.
- Configuration can be added according to customers' requirements.



中高温风冷冷凝机组

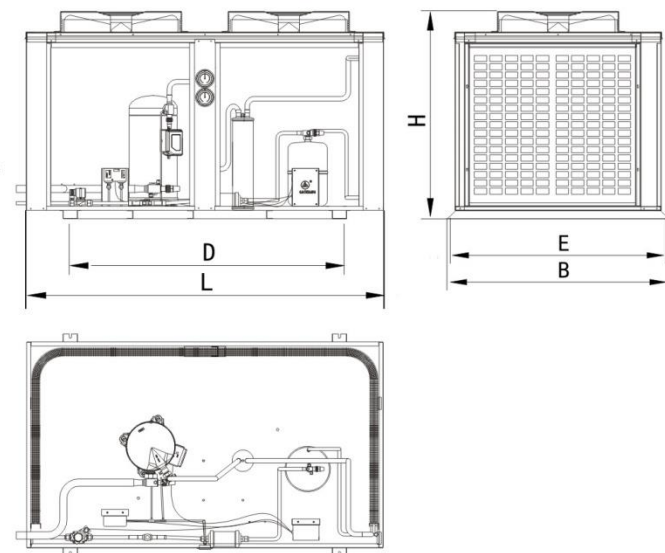
Medium and High Temperature Air-cooled Condensing Unit
涡旋系列 Scroll Series

机组型号 Model of units		GXW2CQFZG	GXW2.5CQFZG	GXW3CQFZG	GXW3.5CQFZG	GXW4CQFZG	GXW5CQFZG	GXW6CQFZG	GXW7CQFZG	
适用蒸发温度(°C) Applicable Temperature(°C)		-5--30°C								
制冷剂 Refrigerant		R22								
电源 Power supply		220V/380V50Hz				380V50Hz				
冷凝器 Condenser	风机数量(只) Quantity of Fan(piece)	1	1	1	1	2	2	2	1	
	风量(m³/h) Air volume(m³/h)	1×3200	1×3200	1×3200	1×3200	2×3200	2×3200	2×3200	1×8720	
	风机功率(W) Power of Fan(W)	1×60	1×60	1×60	1×60	2×60	2×60	2×60	1×600	
压缩机组制冷量 Refrigerating capacity of compressor units	蒸发温度 Evaporating Temperature -5°C	制冷量(W) Cooling capacity	3780	4530	5060	6370	8150	9170	11110	12420
		电功率(W) Power	1830	2040	2280	2820	3400	4010	4780	5410
	蒸发温度 Evaporating Temperature -10°C	制冷量(W) Cooling capacity	3110	3760	4150	5270	6720	7600	9240	10350
		电功率(W) Power	1830	2030	2260	2760	3440	3890	4710	5280
	蒸发温度 Evaporating Temperature -20°C	制冷量(W) Cooling capacity	2070	2550	2750	3550	4540	5150	6240	6980
		电功率(W) Power	1770	1980	2200	2640	3250	3640	7400	8270
	蒸发温度 Evaporating Temperature -30°C	制冷量(W) Cooling capacity	1360	1650	1720	2340	2830	3410	4160	4710
		电功率(W) Power	1620	1900	2130	2500	3090	3420	4370	4800
接口 Coupling	出液管接口 Tube coupling	3/8"	3/8"	3/8"	3/8"	1/2"	1/2"	1/2"	1/2"	
	吸气管接口 Suction coupling	5/8"	5/8"	5/8"	5/8"	3/4"	3/4"	3/4"	1-1/8"	
外形尺寸 Overall dimensions	长(L) mm Length	970	970	970	970	970	970	970	770	
	宽(B) mm Width	410	410	410	410	410	410	410	920	
	高(H) mm Height	835	835	835	835	1330	1330	1330	900	
安装尺寸 Mounting dimensions	长(D) mm Length	625	625	625	625	625	625	625	610	
	宽(E) mm Width	380	380	380	380	380	380	380	890	

机组标准配置: 压缩机、冷凝器、储液器、压控、压力表、过滤器、电磁阀、接线端子、等。
Standard configuration of units: compressor, condenser, liquid receiver, pressure controller, pressure gauge, filter, solenoid valve and wiring box, etc.

说明Note:

- 表中制冷量为环境温度32°C。
- 可根据要求增加配置。
- Cooling capacity in the form is calculated when the ambient temperature is 32°C.
- Configuration can be added according to customers' requirements.



中高温风冷冷凝机组

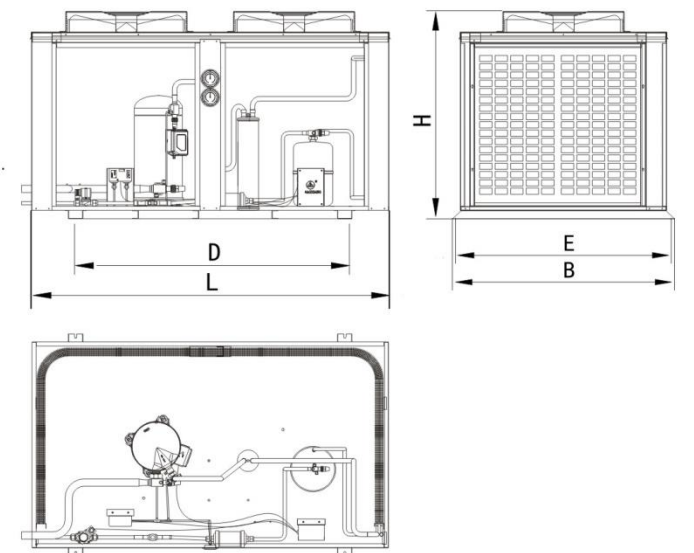
Medium and High Temperature Air-cooled Condensing Unit
涡旋系列 Scroll Series

机组型号 Model of units		GXW2CQFZG	GXW2.5CQFZG	GXW3CQFZG	GXW3.5CQFZG	GXW4CQFZG	GXW5CQFZG	GXW6CQFZG	GXW7CQFZG	
适用蒸发温度(°C) Applicable Temperature(°C)		-5--30°C								
制冷剂 Refrigerant		R404A								
电源 Power supply		220V/380V50Hz				380V50Hz				
冷凝器 Condenser	风机数量(只) Quantity of Fan(piece)	1	1	1	1	2	2	2	1	
	风量(m³/h) Air volume(m³/h)	1×3200	1×3200	1×3200	1×3200	2×3200	2×3200	2×3200	1×8720	
	风机功率(W) Power of Fan(W)	1×60	1×60	1×60	1×60	2×60	2×60	2×60	1×600	
压缩机组制冷量 Refrigerating capacity of compressor units	蒸发温度 Evaporating Temperature -5°C	制冷量(W) Cooling capacity	3910	4710	5230	6660	8560	9500	11600	12940
		电功率(W) Power	2020	2250	2530	2960	3850	4340	5380	5920
	蒸发温度 Evaporating Temperature -10°C	制冷量(W) Cooling capacity	3220	3920	4370	5530	7120	7920	9700	10840
		电功率(W) Power	2010	2200	2490	2930	3770	4240	5230	5730
	蒸发温度 Evaporating Temperature -20°C	制冷量(W) Cooling capacity	2140	2640	2980	3790	4780	5450	6650	7410
		电功率(W) Power	1950	2140	2450	2860	3540	3910	4830	5340
	蒸发温度 Evaporating Temperature -30°C	制冷量(W) Cooling capacity	1380	1740	1900	2400	3080	3480	4390	5080
		电功率(W) Power	1800	2010	2310	2650	3270	3620	4540	5000
接口 Coupling	出液管接口 Tube coupling	3/8"	3/8"	3/8"	3/8"	1/2"	1/2"	1/2"	1/2"	
	吸气管接口 Suction coupling	5/8"	5/8"	5/8"	5/8"	3/4"	3/4"	3/4"	1-1/8"	
外形尺寸 Overall dimensions	长(L) mm Length	970	970	970	970	970	970	970	770	
	宽(B) mm Width	410	410	410	410	410	410	410	920	
	高(H) mm Height	835	835	835	835	1330	1330	1330	900	
安装尺寸 Mounting dimensions	长(D) mm Length	625	625	625	625	625	625	625	610	
	宽(E) mm Width	380	380	380	380	380	380	380	890	

机组标准配置: 压缩机、冷凝器、储液器、压控、压力表、过滤器、电磁阀、接线端子、等。
Standard configuration of units: compressor, condenser, liquid receiver, pressure controller, pressure gauge, filter, solenoid valve and wiring box, etc.

说明Note:

- 表中制冷量为环境温度32°C。
- 可根据要求增加配置。
- Cooling capacity in the form is calculated when the ambient temperature is 32°C.
- Configuration can be added according to customers' requirements.



中高温风冷冷凝机组

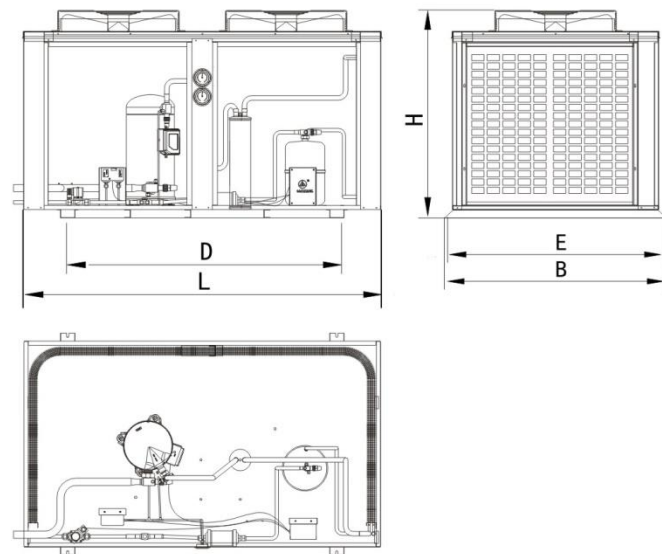
 Medium and High Temperature Air-cooled Condensing Unit
 涡旋系列 Scroll Series

机组型号 Model of units		GXW8CQFZG	GXW10CQFZG	GXW12CQFZG	GXW13CQFZG	GXW15CQFZG	
适用蒸发温度(°C) Applicable Temperature(°C)		+10~-15°C					
制冷剂 Refrigerant		R22					
电源 Power supply		380V50Hz					
冷凝器 Condenser	风机数量(只) Quantity of Fan(piece)	1	2	2	2	2	
	风量(m³/h) Air volume(m³/h)	1×8720	2×6570	2×6570	2×6570	2×8720	
	风机功率(W) Power of Fan(W)	1×600	2×450	2×450	2×450	2×600	
压缩机组制冷量 Refrigerating capacity of compressor units	蒸发温度 Evaporating Temperature +5°C	制冷量(W) Cooling capacity	20100	29200	32000	34200	39400
		电功率(W) Power	7690	8020	9500	11050	13700
	蒸发温度 Evaporating Temperature -5°C	制冷量(W) Cooling capacity	15300	21500	23000	24500	28200
		电功率(W) Power	7130	7320	9200	9970	12250
	蒸发温度 Evaporating Temperature -12°C	制冷量(W) Cooling capacity	12150	16550	17000	18500	21200
		电功率(W) Power	6780	7100	7300	9320	11450
接口 Coupling	出液管接口 Tube coupling	1/2"	5/8"	5/8"	5/8"	5/8"	
	吸气管接口 Suction coupling	1-1/8"	1-1/8"	1-3/8"	1-3/8"	1-3/8"	
外形尺寸 Overall dimensions	长(L) mm Length	770	1330	1330	1480	1730	
	宽(B) mm Width	920	950	950	950	1050	
	高(H) mm Height	900	890	990	990	1000	
安装尺寸 Mounting dimensions	长(D) mm Length	610	900	900	1050	1300	
	宽(E) mm Width	890	920	920	920	1020	

 机组标准配置: 压缩机、冷凝器、储液器、压控、压力表、过滤器、电磁阀、接线盒等。
 Standard configuration of units: compressor, condenser, liquid receiver, pressure controller, pressure gauge, filter, solenoid valve and wiring box, etc.

说明Note:

- 表中制冷量为环境温度32°C。
- 可根据要求增加配置。
- Cooling capacity in the form is calculated when the ambient temperature is 32°C.
- Configuration can be added according to customers' requirements.


中高温风冷冷凝机组

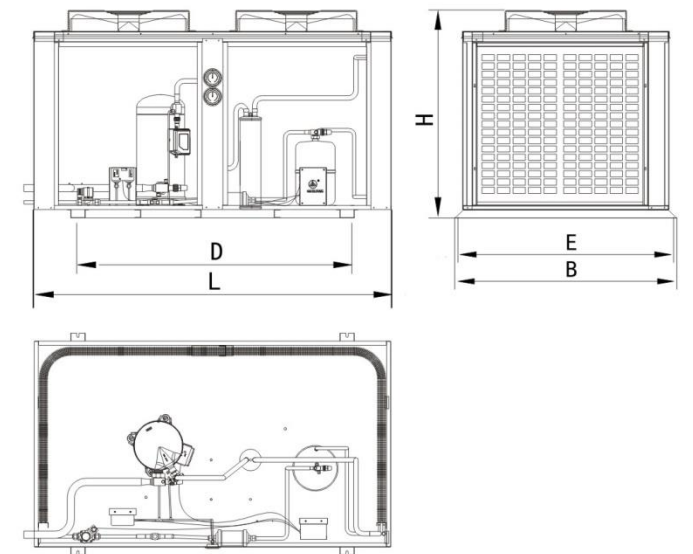
 Medium and High Temperature Air-cooled Condensing Unit
 涡旋系列 Scroll Series

机组型号 Model of units		GXW8CQFZG	GXW10CQFZG	GXW13CQFZG	GXW15CQFZG	
适用蒸发温度(°C) Applicable Temperature(°C)		+10~-15°C				
制冷剂 Refrigerant		R404A				
电源 Power supply		380V50Hz				
冷凝器 Condenser	风机数量(只) Quantity of Fan(piece)	1	2	2	2	
	风量(m³/h) Air volume(m³/h)	1×8720	2×6570	2×6570	2×8720	
	风机功率(W) Power of Fan(W)	1×600	2×450	2×450	2×600	
压缩机组制冷量 Refrigerating capacity of compressor units	蒸发温度 Evaporating Temperature +5°C	制冷量(W) Cooling capacity	19950	28300	32500	37300
		电功率(W) Power	7670	9550	12850	15850
	蒸发温度 Evaporating Temperature -5°C	制冷量(W) Cooling capacity	14650	20700	24000	27500
		电功率(W) Power	7060	8840	11750	14450
	蒸发温度 Evaporating Temperature -12°C	制冷量(W) Cooling capacity	11400	16150	18800	21400
		电功率(W) Power	6690	8410	11100	13650
接口 Coupling	出液管接口 Tube coupling	1/2"	5/8"	5/8"	5/8"	
	吸气管接口 Suction coupling	1-1/8"	1-1/8"	1-3/8"	1-3/8"	
外形尺寸 Overall dimensions	长(L) mm Length	770	1330	1480	1730	
	宽(B) mm Width	920	950	950	1050	
	高(H) mm Height	900	890	990	1000	
安装尺寸 Mounting dimensions	长(D) mm Length	610	900	1050	1300	
	宽(E) mm Width	890	920	920	1020	

 机组标准配置: 压缩机、冷凝器、储液器、压控、压力表、过滤器、电磁阀、接线盒等。
 Standard configuration of units: compressor, condenser, liquid receiver, pressure controller, pressure gauge, filter, solenoid valve and wiring box, etc.

说明Note:

- 表中制冷量为环境温度32°C。
- 可根据要求增加配置。
- Cooling capacity in the form is calculated when the ambient temperature is 32°C.
- Configuration can be added according to customers' requirements.



中低温风冷冷凝机组

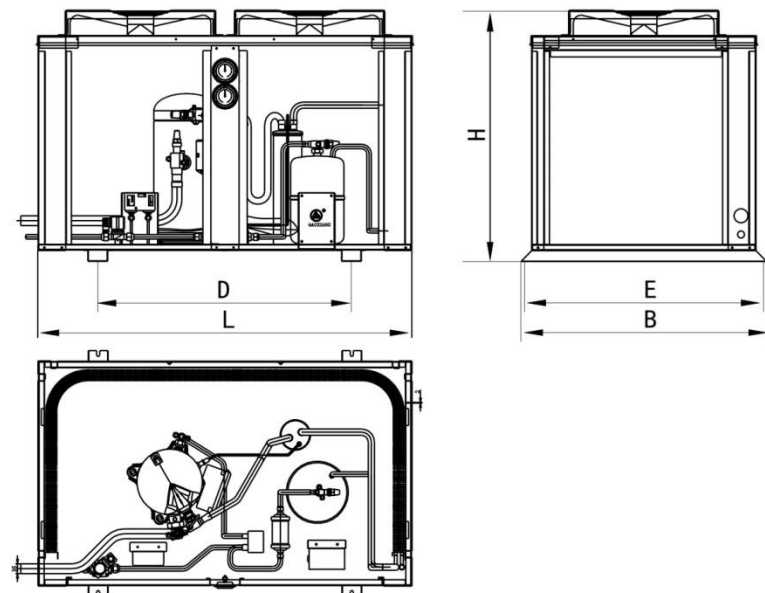
Medium and Low Temperature Air-cooled Condensing Unit
涡旋系列 Scroll Series

机组型号 Model of units		GXW4CQFZD	GXW6CQFZD	GXW7.5CQFZD	GXW10CQFZD	GXW13CQFZD	GXW15CQFZD	
适用蒸发温度(°C) Applicable Temperature(°C)		0°C--40°C						
制冷剂 Refrigerant		R22						
电源 Power supply		380V50Hz						
冷凝器 Condenser	风机数量(只) Quantity of Fan(piece)	2	2	1	2	2	2	
	风量(m³/h) Air volume(m³/h)	2×3200	2×3200	1×8720	2×5000	2×6570	2×6570	
	风机功率(W) Power of Fan(W)	2×60	2×60	1×600	2×290	2×380	2×380	
压缩机组制冷量 Refrigerating capacity of compressor units	蒸发温度 Evaporating Temperature 0°C	制冷量(W) Cooling capacity	10000	14440				
		电功率(W) Power	3560	5730				
	蒸发温度 Evaporating Temperature -10°C	制冷量(W) Cooling capacity	7530	11080	14440	19500	23460	
		电功率(W) Power	3570	5220	6910	8870	10560	
	蒸发温度 Evaporating Temperature -20°C	制冷量(W) Cooling capacity	5390	7950	9840	13430	16100	19040
		电功率(W) Power	3410	4850	6310	8280	10100	11990
	蒸发温度 Evaporating Temperature -40°C	制冷量(W) Cooling capacity	2300	3400	4380	6030	7170	8540
		电功率(W) Power	2860	4050	5170	6780	8280	9800
接口 Coupling	出液管接口 Tube coupling	1/2"	1/2"	1/2"	1/2"	1/2"	1/2"	
	吸气管接口 Suction coupling	3/4"	3/4"	1-1/8"	1-1/8"	1-1/8"	1-1/8"	
外形尺寸 Overall dimensions	长(L) mm Length	970	970	770	1330	1330	1730	
	宽(B) mm Width	410	410	920	850	950	1050	
	高(H) mm Height	1330	1330	900	890	990	1000	
安装尺寸 Mounting dimensions	长(D) mm Length	625	625	610	900	900	1300	
	宽(E) mm Width	380	380	890	820	920	1020	

机组标准配置: 压缩机、冷凝器、储液器、压控、压力表、过滤器、电磁阀、接线端子、板阀等。
Standard configuration of units: compressor, condenser, liquid receiver, pressure controller, pressure gauge, filter, solenoid valve and wiring box, plate valve, etc.

说明Note:

- 表中制冷量为环境温度32°C。
- 可根据要求增加配置。
- Cooling capacity in the form is calculated when the ambient temperature is 32°C.
- Configuration can be added according to customers' requirements.



中低温风冷冷凝机组

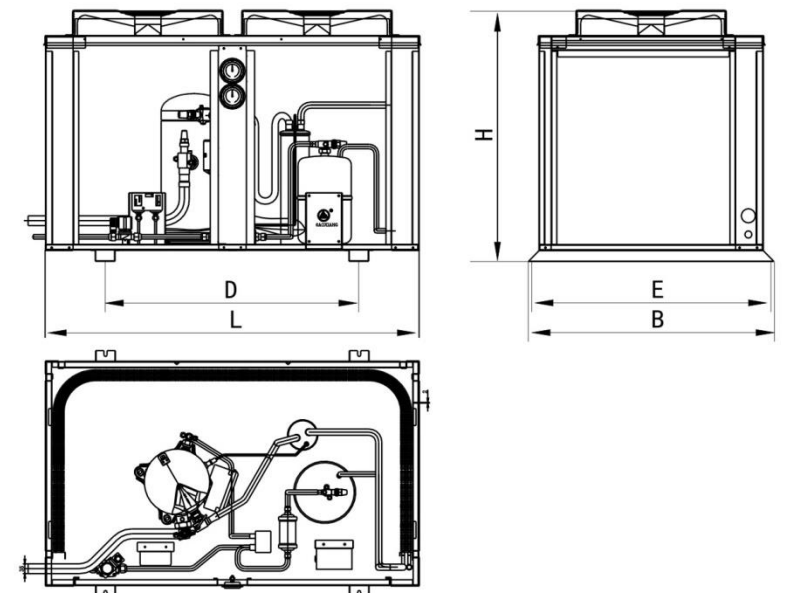
Medium and Low Temperature Air-cooled Condensing Unit
涡旋系列 Scroll Series

机组型号 Model of units		GXW4CQFZD	GXW6CQFZD	GXW7.5CQFZD	GXW10CQFZD	GXW13CQFZD	GXW15CQFZD	
适用蒸发温度(°C) Applicable Temperature(°C)		0°C--40°C						
制冷剂 Refrigerant		R404A						
电源 Power supply		380V50Hz						
冷凝器 Condenser	风机数量(只) Quantity of Fan(piece)	2	2	1	2	2	2	
	风量(m³/h) Air volume(m³/h)	2×3200	2×3200	1×8720	2×5000	2×6570	2×6570	
	风机功率(W) Power of Fan(W)	2×60	2×60	1×600	2×290	2×380	2×380	
压缩机组制冷量 Refrigerating capacity of compressor units	蒸发温度 Evaporating Temperature 0°C	制冷量(W) Cooling capacity	12600	17750				
		电功率(W) Power	3940	6310				
	蒸发温度 Evaporating Temperature -10°C	制冷量(W) Cooling capacity	9130	12920	15730	21710	26400	
		电功率(W) Power	3810	5980	7410	9930	12100	
	蒸发温度 Evaporating Temperature -20°C	制冷量(W) Cooling capacity	6460	9290	11630	15870	19320	21890
		电功率(W) Power	3650	5600	6860	9070	11060	12860
	蒸发温度 Evaporating Temperature -40°C	制冷量(W) Cooling capacity	2810	4620	5670	9610	9240	10480
		电功率(W) Power	3420	4700	5230	9350	8970	10420
接口 Coupling	出液管接口 Tube coupling	1/2"	1/2"	1/2"	1/2"	1/2"	1/2"	
	吸气管接口 Suction coupling	3/4"	3/4"	1-1/8"	1-1/8"	1-1/8"	1-1/8"	
外形尺寸 Overall dimensions	长(L) mm Length	970	970	770	1330	1330	1730	
	宽(B) mm Width	410	410	920	850	950	1050	
	高(H) mm Height	1330	1330	900	890	990	1000	
安装尺寸 Mounting dimensions	长(D) mm Length	625	625	610	900	900	1300	
	宽(E) mm Width	380	380	890	820	920	1020	

机组标准配置: 压缩机、冷凝器、储液器、压控、压力表、过滤器、电磁阀、接线端子、板阀等。
Standard configuration of units: compressor, condenser, liquid receiver, pressure controller, pressure gauge, filter, solenoid valve and wiring box, plate valve, etc.

说明Note:

- 表中制冷量为环境温度32°C。
- 可根据要求增加配置。
- Cooling capacity in the form is calculated when the ambient temperature is 32°C.
- Configuration can be added according to customers' requirements.



中低温风冷冷凝机组

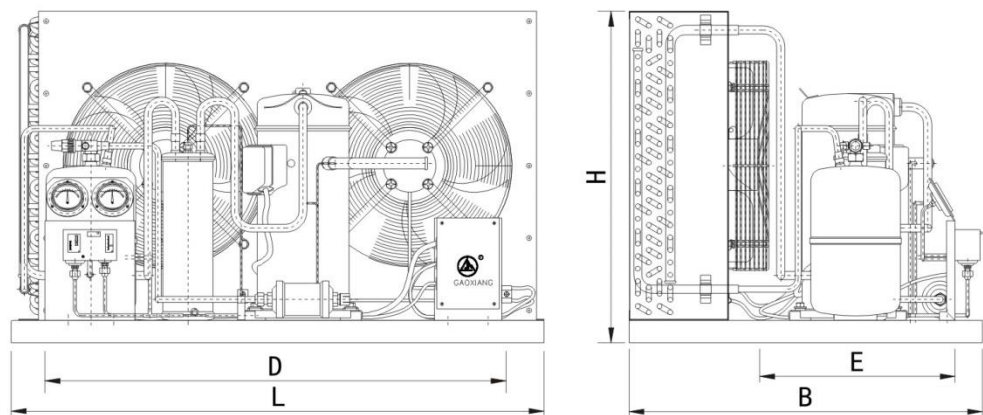
Medium and Low Temperature Air-cooled Condensing Unit
涡旋系列 Scroll Series

机组型号 Model of units		GXN2CQFZD	GXN3CQFZD	GXN4CQFZD	GXN5CQFZD	GXN6CQFZD	
适用蒸发温度(°C) Applicable Temperature(°C)		-5~-20°C					
制冷剂 Refrigerant		R404A					
电源 Power supply		220V/380V/50Hz			380V/50Hz		
冷凝器 Condenser	风机数量(只) Quantity of Fan(piece)	1	1	2	2	2	
	风量(m³/h) Air volume(m³/h)	1×1800	1×3000	2×1800	2×3000	2×3000	
	风机功率(W) Power of Fan(W)	1×120	1×120	2×120	2×120	2×120	
压缩机组制冷量 Refrigerating capacity of compressor units	蒸发温度 Evaporating Temperature -5°C	制冷量(W) Cooling capacity	3790	5000	7000	8300	10950
		电功率(W) Power	2000	3100	3900	4800	5640
	蒸发温度 Evaporating Temperature -15°C	制冷量(W) Cooling capacity	2880	3580	4600	6000	7580
		电功率(W) Power	1950	2900	3770	4850	5400
	蒸发温度 Evaporating Temperature -20°C	制冷量(W) Cooling capacity	2030	3180	3800	5300	6060
		电功率(W) Power	1900	2810	3650	4700	5210
接口 Coupling	出液管接口 Tube coupling	3/8"	3/8"	3/8"	1/2"	1/2"	
	吸气管接口 Suction coupling	3/4"	3/4"	7/8"	7/8"	7/8"	
外形尺寸 Overall dimensions	长(L) mm Length	600	600	1010	1010	1010	
	宽(B) mm Width	700	700	710	710	710	
	高(H) mm Height	520	570	570	570	670	
安装尺寸 Mounting dimensions	长(D) mm Length	550	550	960	960	960	
	宽(E) mm Width	420	420	420	420	420	

机组标准配置: 压缩机、冷凝器、储液器、压控、压力表、过滤器、电磁阀、接线盒等。
Standard configuration of units: compressor, condenser, liquid receiver, pressure controller, pressure gauge, filter, solenoid valve and wiring box, etc.

说明Note:

- 表中制冷量为环境温度32°C。
- Cooling capacity in the form is calculated when the ambient temperature is 32°C.
- 可根据要求增加配置。
- Configuration can be added according to customers' requirements.



中低温风冷冷凝机组

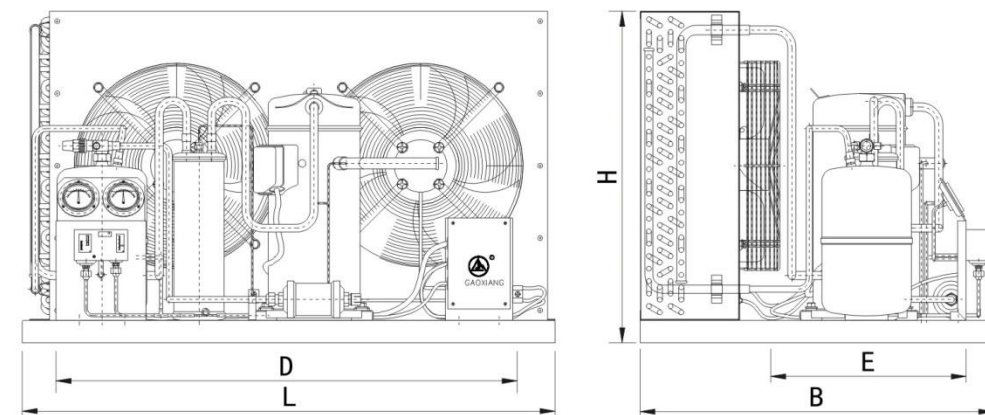
Medium and Low Temperature Air-cooled Condensing Unit
涡旋系列 Scroll Series

机组型号 Model of units		GXN8CQFZD	GXN9CQFZD	GXN10CQFZD	GXN13CQFZD	GXN15CQFZD	
适用蒸发温度(°C) Applicable Temperature(°C)		-5~-20°C					
制冷剂 Refrigerant		R404A					
电源 Power supply		380V/50Hz					
冷凝器 Condenser	风机数量(只) Quantity of Fan(piece)	2	2	2	2	2	
	风量(m³/h) Air volume(m³/h)	2×4500	2×4500	2×4500	2×6570	2×8720	
	风机功率(W) Power of Fan(W)	2×180	2×180	2×180	2×450	2×600	
压缩机组制冷量 Refrigerating capacity of compressor units	蒸发温度 Evaporating Temperature -5°C	制冷量(W) Cooling capacity	14200	16450	19550	22000	26900
		电功率(W) Power	7580	8190	9370	12900	14750
	蒸发温度 Evaporating Temperature -15°C	制冷量(W) Cooling capacity	9900	11700	14400	15500	18100
		电功率(W) Power	6940	7560	8890	11700	13600
	蒸发温度 Evaporating Temperature -20°C	制冷量(W) Cooling capacity	7950	9670	11450	12150	15010
		电功率(W) Power	6650	7270	8190	10600	13150
接口 Coupling	出液管接口 Tube coupling	1/2"	5/8"	5/8"	5/8"	5/8"	
	吸气管接口 Suction coupling	1-1/8"	1-3/8"	1-3/8"	1-3/8"	1-5/8"	
外形尺寸 Overall dimensions	长(L) mm Length	1250	1250	1250	1430	1430	
	宽(B) mm Width	800	800	800	800	800	
	高(H) mm Height	680	780	880	980	1080	
安装尺寸 Mounting dimensions	长(D) mm Length	1180	1180	1180	1380	1380	
	宽(E) mm Width	520	520	520	500	500	

机组标准配置: 压缩机、冷凝器、储液器、压控、压力表、过滤器、电磁阀、接线盒等。
Standard configuration of units: compressor, condenser, liquid receiver, pressure controller, pressure gauge, filter, solenoid valve and wiring box, etc.

说明Note:

- 表中制冷量为环境温度32°C。
- Cooling capacity in the form is calculated when the ambient temperature is 32°C.
- 可根据要求增加配置。
- Configuration can be added according to customers' requirements.



中低温风冷冷凝机组

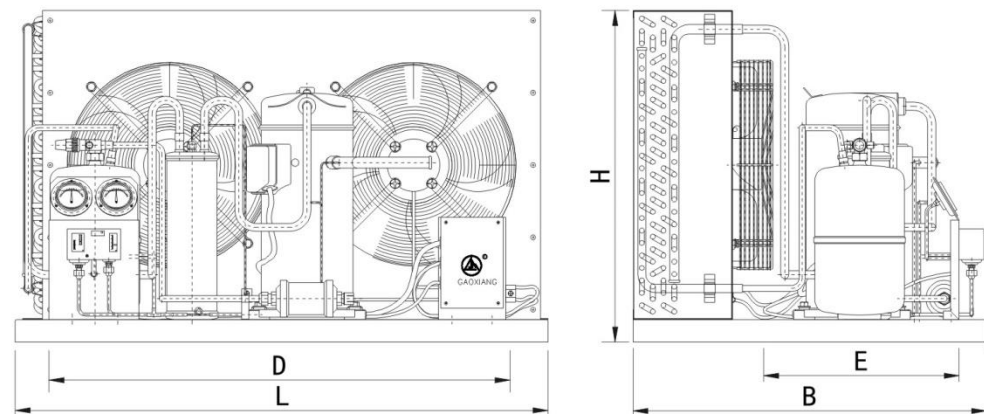
Medium and Low Temperature Air-cooled Condensing Unit
涡旋系列 Scroll Series

机组型号 Model of units		GXN3CQFZD	GXN3.5CQFZD	GXN5CQFZD	GXN6CQFZD	GXN8CQFZD	
适用蒸发温度(°C) Applicable Temperature(°C)		-20~-40°C					
制冷剂 Refrigerant		R22					
电源 Power supply		380V50Hz					
冷凝器 Condenser	风机数量(只) Quantity of Fan(piece)	1	2	2	2	2	
	风量(m³/h) Air volume(m³/h)	1×2300	2×1500	2×2300	2×2300	2×4500	
	风机功率(W) Power of Fan(W)	1×180	2×140	2×180	2×180	2×180	
压缩机组制冷量 Refrigerating capacity of compressor units	蒸发温度 Evaporating Temperature -20°C	制冷量(W) Cooling capacity	3280	4190	5700	6800	8300
		电功率(W) Power	2300	2600	3800	4600	5870
	蒸发温度 Evaporating Temperature -30°C	制冷量(W) Cooling capacity	2200	2850	3910	4600	5770
		电功率(W) Power	2100	2300	3400	4200	5110
	蒸发温度 Evaporating Temperature -40°C	制冷量(W) Cooling capacity	1450	1800	2500	2900	3820
		电功率(W) Power	1900	2100	3100	3900	4200
接口 Coupling	出液管接口 Tube coupling	3/8"	3/8"	1/2"	1/2"	1/2"	
	吸气管接口 Suction coupling	3/4"	3/4"	7/8"	7/8"	1-1/8"	
外形尺寸 Overall dimensions	长(L) mm Length	600	950	1010	1010	1250	
	宽(B) mm Width	700	650	710	710	810	
	高(H) mm Height	580	520	570	670	680	
安装尺寸 Mounting dimensions	长(D) mm Length	550	900	960	960	1180	
	宽(E) mm Width	420	370	420	420	520	

机组标准配置: 压缩机、冷凝器、储液器、压控、压力表、过滤器、电磁阀、接线盒等。
Standard configuration of units: compressor, condenser, liquid receiver, pressure controller, pressure gauge, filter, solenoid valve and wiring box, etc.

说明Note:

- 表中制冷量为环境温度32°C。
- Cooling capacity in the form is calculated when the ambient temperature is 32°C.
- 可根据要求增加配置。
- Configuration can be added according to customers' requirements.



中低温风冷冷凝机组

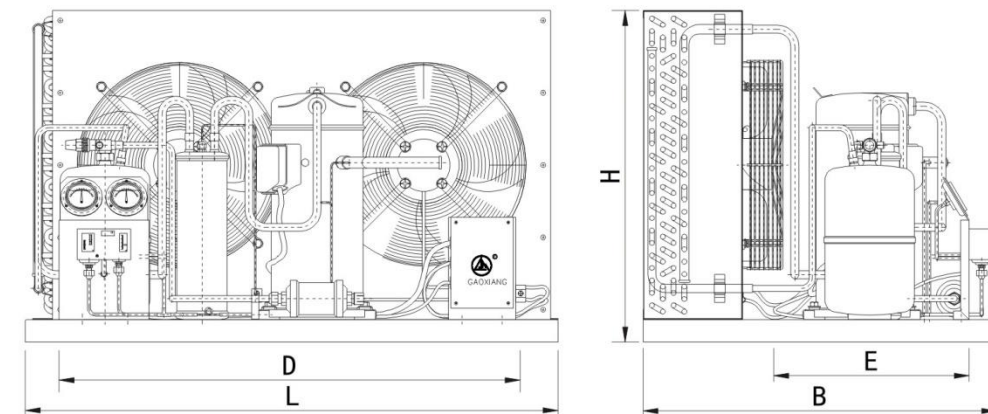
Medium and Low Temperature Air-cooled Condensing Unit
涡旋系列 Scroll Series

机组型号 Model of units		GXN3CQFZD	GXN3.5CQFZD	GXN5CQFZD	GXN6CQFZD	GXN8CQFZD	
适用蒸发温度(°C) Applicable Temperature(°C)		-20~-40°C					
制冷剂 Refrigerant		R404A					
电源 Power supply		380V50Hz					
冷凝器 Condenser	风机数量(只) Quantity of Fan(piece)	1	2	2	2	2	
	风量(m³/h) Air volume(m³/h)	1×2300	2×1500	2×2300	2×2300	2×4500	
	风机功率(W) Power of Fan(W)	1×180	2×140	2×180	2×180	2×180	
压缩机组制冷量 Refrigerating capacity of compressor units	蒸发温度 Evaporating Temperature -20°C	制冷量(W) Cooling capacity	3100	4000	5300	6600	8300
		电功率(W) Power	2200	2700	3900	4500	6050
	蒸发温度 Evaporating Temperature -30°C	制冷量(W) Cooling capacity	2190	2800	3800	4700	5950
		电功率(W) Power	2000	2500	3400	4000	5290
	蒸发温度 Evaporating Temperature -40°C	制冷量(W) Cooling capacity	1400	1900	2500	3100	3800
		电功率(W) Power	1900	2300	2900	3600	4580
接口 Coupling	出液管接口 Tube coupling	3/8"	3/8"	1/2"	1/2"	1/2"	
	吸气管接口 Suction coupling	3/4"	3/4"	7/8"	7/8"	1-1/8"	
外形尺寸 Overall dimensions	长(L) mm Length	600	950	1010	1010	1250	
	宽(B) mm Width	700	650	710	710	810	
	高(H) mm Height	580	520	570	670	680	
安装尺寸 Mounting dimensions	长(D) mm Length	550	900	960	960	1180	
	宽(E) mm Width	420	370	420	420	520	

机组标准配置: 压缩机、冷凝器、储液器、压控、压力表、过滤器、电磁阀、接线盒等。
Standard configuration of units: compressor, condenser, liquid receiver, pressure controller, pressure gauge, filter, solenoid valve and wiring box, etc.

说明Note:

- 表中制冷量为环境温度32°C。
- Cooling capacity in the form is calculated when the ambient temperature is 32°C.
- 可根据要求增加配置。
- Configuration can be added according to customers' requirements.



产品特点
Products features

- 选用国际品牌制冷压缩机,质量好,可靠性高、噪音低、效率高。
- 采用高效壳管式水冷冷凝器,换热效率高、使用寿命长。
- Select international brand compressor, good quality, high reliability, low noise and high efficiency.
- Adopt high efficiency shell and tube water-cooled condenser, boast high efficiency of heat exchange and long service life.


型号说明 Model description:
G X W 10 C B F G S

- 表示双极 Symbolized two-stage
- 工作温度 G高 Z中 D低 Working temperature G-high Z-medium D-low
- 冷却方式 F表示风冷 水冷不表示 Cooling mode F-air-cooled Water-cooled is not shown
- 压缩机头 B表示半封闭 Q表示全封闭 Compressor B-semi-hermetic Q-hermetic
- C表示谷轮
- 名义马力 Nominal power
- W室外 N室内 W-outdoor N-indoor
- 高翔牌 GAOXIANG brand

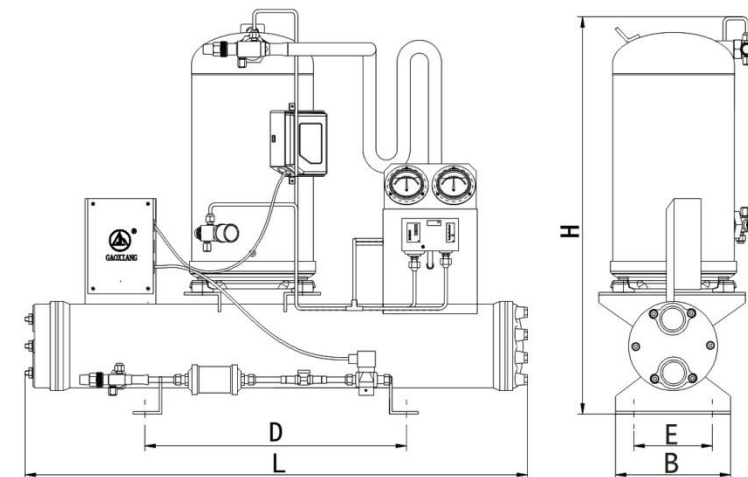
中高温水冷冷凝机组
Medium and High Temperature Water-cooled Condensing Unit
涡旋系列 Scroll Series

机组型号 Model of units		GXN5CQZG	GXN6CQZG	GXN8CQZG	GXN9CQZG	GXN10CQZG	GXN12CQZG	GXN13CQZG	GXN15CQZG	
适用蒸发温度(°C) Applicable Temperature(°C)		+10--15°C								
制冷剂 Refrigerant		R22								
电源 Power supply		380V/50Hz								
冷凝器 Condenser	形式 Form	壳管式冷凝器 Scroll and tube Condenser								
	额定水流量(m³/h) Rated Water Flow	3.1	3.7	4.9	5.5	6.3	7.2	8.1	9.1	
压缩机组制冷量 Refrigerating capacity of compressor units	接管规格 Connection Size		RC1-11/2	RC1-11/2	RC1-11/2	RC1-11/2	RC1-11/2	RC1-11/2	RC1-11/2	
	蒸发温度 Evaporating Temperature +5°C	制冷量(W) Cooling capacity	12750	15900	21800	25100	31200	35000	38000	42800
		电功率(W) Power	3290	3810	4960	5550	6530	7410	8380	12150
	蒸发温度 Evaporating Temperature -5°C	制冷量(W) Cooling capacity	9290	11850	15750	18300	22500	24900	26500	30000
		电功率(W) Power	3150	3760	4880	5410	6360	7220	8180	10800
	蒸发温度 Evaporating Temperature -12°C	制冷量(W) Cooling capacity	7110	9320	12000	14250	17400	18700	19500	21300
电功率(W) Power		3100	3710	4880	5340	6270	7100	8000	10050	
接口 Coupling	出液管接口 Tube coupling	1/2"	1/2"	1/2"	5/8"	5/8"	5/8"	5/8"	5/8"	
	吸气管接口 Suction coupling	7/8"	7/8"	1-1/8"	1-3/8"	1-3/8"	1-3/8"	1-3/8"	1-3/8"	
外形尺寸 Overall dimensions	长(L) mm Length	972	972	972	1162	1162	1162	1162	1162	
	宽(B) mm Width	350	450	450	450	450	450	450	450	
	高(H) mm Height	726	726	746	875	875	875	875	875	
安装尺寸 Mounting dimensions	长(D) mm Length	500	500	500	600	600	600	600	600	
	宽(E) mm Width	300	380	380	380	380	380	380	380	

机组标准配置: 压缩机、壳管式冷凝器、压控、压力表、过滤器、电磁阀、接线盒等。
 Standard configuration of units: compressor, scroll and tube condenser, pressure controller, pressure gauge, filter, solenoid valve and wiring box, etc.

说明Note:

- 表中制冷量为冷凝温度40°C。
- Cooling capacity in the form is calculated when the condensing temperature is 40°C.
- 可根据要求增加配置。
- Configuration can be added according to customers' requirements.



中高温水冷冷凝机组

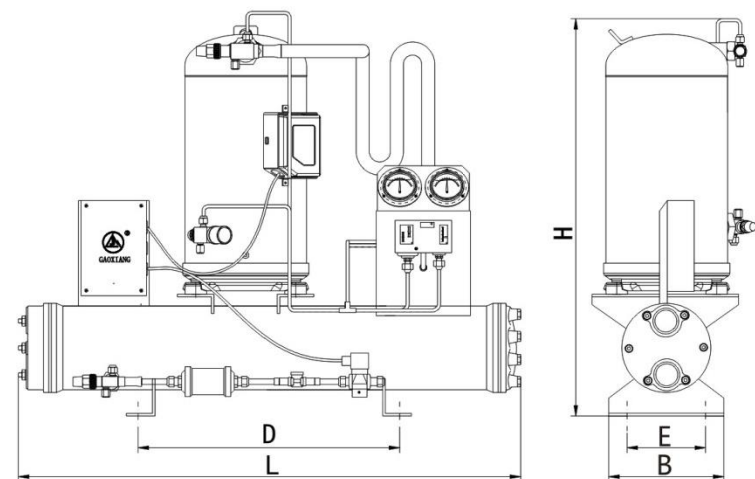
Medium and High Temperature Water-cooled Condensing Unit
涡旋系列 Scroll Series

机组型号 Model of units		GXN5CQZD	GXN6CQZD	GXN8CQZD	GXN9CQZD	GXN10CQZD	GXN13CQZD	GXN15CQZD
适用蒸发温度(°C) Applicable Temperature(°C)		+10~-15°C						
制冷剂 Refrigerant		R404A						
电源 Power supply		380V/50Hz						
冷凝器 Condenser	形式 Form	壳管式冷凝器 Scroll and tube Condenser						
	额定水流量(m³/h) Rated Water Flow	3.2	3.7	5	5.5	6.6	8.1	9.6
接管规格 Connection Size		RC1-11/2	RC1-11/2	RC1-11/2	RC1-11/2	RC1-11/2	RC1-11/2	RC1-11/2
压缩机组制冷量 Refrigerating capacity of compressor units	蒸发温度 Evaporating Temperature +5°C	制冷量(W) Cooling capacity 13350	22300	24100	26334	30096	37000	41500
		电功率(W) Power 3710	4210	5720	6530	7520	9700	11650
	蒸发温度 Evaporating Temperature -5°C	制冷量(W) Cooling capacity 9980	16550	18050	23100	21400	26500	31000
		电功率(W) Power 3760	4280	5760	6390	7390	9470	11400
蒸发温度 Evaporating Temperature -12°C	制冷量(W) Cooling capacity 7940	13000	14300	18100	16950	20000	24400	
	电功率(W) Power 3760	4310	5650	6350	7300	9360	11250	
接口 Coupling	出液管接口 Tube coupling	1/2"	1/2"	1/2"	5/8"	5/8"	5/8"	5/8"
	吸气管接口 Suction coupling	7/8"	7/8"	7/8"	1-3/8"	1-3/8"	1-3/8"	1-3/8"
外形尺寸 Overall dimensions	长(L) mm Length	972	972	972	1162	1162	1162	1162
	宽(B) mm Width	350	450	450	450	450	450	450
	高(H) mm Height	726	726	726	875	875	875	875
安装尺寸 Mounting dimensions	长(D) mm Length	500	500	500	600	600	600	600
	宽(E) mm Width	300	380	380	380	380	380	380

机组标准配置: 压缩机、壳管式冷凝器、压控、压力表、过滤器、电磁阀、接线盒等。
Standard configuration of units: compressor, scroll and tube condenser, pressure controller, pressure gauge, filter, solenoid valve and wiring box, etc.

说明Note:

- 表中制冷量为冷凝温度40°C。
- Cooling capacity in the form is calculated when the condensing temperature is 40°C.
- 可根据要求增加配置。
- Configuration can be added according to customers' requirements.



中低温水冷冷凝机组

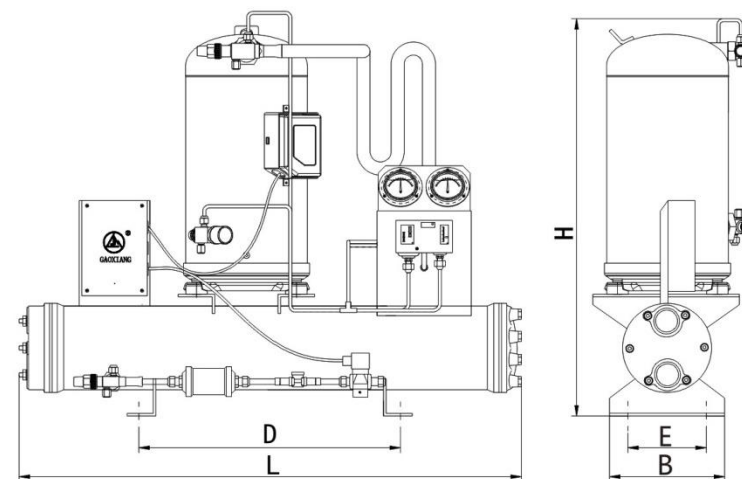
Medium and Low Temperature Water-cooled Condensing Unit
涡旋系列 Scroll Series

机组型号 Model of units		GXN5CQZD	GXN6CQZD	GXN8CQZD	GXN9CQZD	GXN10CQZD	GXN13CQZD	GXN15CQZD
适用蒸发温度(°C) Applicable Temperature(°C)		-5~-20°C						
制冷剂 Refrigerant		R404A						
电源 Power supply		380V/50Hz						
冷凝器 Condenser	形式 Form	壳管式冷凝器 Scroll and tube Condenser						
	额定水流量(m³/h) Rated Water Flow	2.8	3.3	4.9	5.5	6.3	7.5	9.1
接管规格 Connection Size		RC1-11/2	RC1-11/2	RC1-11/2	RC1-11/2	RC1-11/2	RC1-11/2	RC1-11/2
压缩机组制冷量 Refrigerating capacity of compressor units	蒸发温度 Evaporating Temperature -5°C	制冷量(W) Cooling capacity 9120	11100	15600	18750	21400	24400	32200
		电功率(W) Power 3760	4280	5670	6390	7390	9470	11400
	蒸发温度 Evaporating Temperature -10°C	制冷量(W) Cooling capacity 7830	9530	13250	16150	18150	20900	27600
		电功率(W) Power 3760	4300	5650	6360	7330	9380	11300
蒸发温度 Evaporating Temperature -20°C	制冷量(W) Cooling capacity 5570	6740	9030	11500	12600	14450	17350	
	电功率(W) Power 3760	4310	5620	6290	7180	9350	11250	
接口 Coupling	出液管接口 Tube coupling	1/2"	1/2"	1/2"	5/8"	5/8"	5/8"	5/8"
	吸气管接口 Suction coupling	7/8"	7/8"	7/8"	1-3/8"	1-3/8"	1-3/8"	1-5/8"
外形尺寸 Overall dimensions	长(L) mm Length	972	972	972	1162	1162	1162	1162
	宽(B) mm Width	350	450	450	450	450	450	450
	高(H) mm Height	726	726	726	875	875	875	875
安装尺寸 Mounting dimensions	长(D) mm Length	500	500	500	600	600	600	600
	宽(E) mm Width	300	380	380	380	380	380	380

机组标准配置: 压缩机、壳管式冷凝器、压控、压力表、过滤器、电磁阀、接线盒等。
Standard configuration of units: compressor, scroll and tube condenser, pressure controller, pressure gauge, filter, solenoid valve and wiring box, etc.

说明Note:

- 表中制冷量为冷凝温度40°C。
- Cooling capacity in the form is calculated when the condensing temperature is 40°C.
- 可根据要求增加配置。
- Configuration can be added according to customers' requirements.



中低温水冷冷凝机组

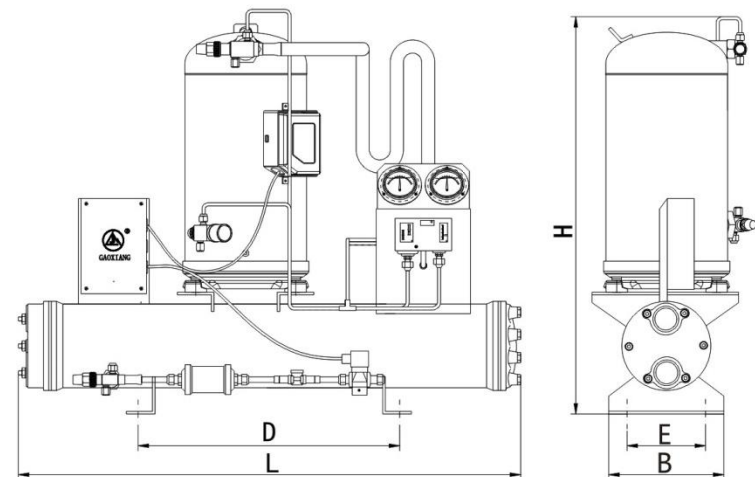
Medium and Low Temperature Water-cooled Condensing Unit
涡旋系列 Scroll Series

机组型号 Model of units		GXN4CQZD	GXN6CQZD	GXN7.5CQZD	GXN10CQZD	GXN13CQZD	GXN15CQZD	
适用蒸发温度(°C) Applicable Temperature(°C)		0--40°C						
制冷剂 Refrigerant		R22						
电源 Power supply		380V/50Hz						
冷凝器 Condenser	形式 Form	壳管式冷凝器 Scroll and tube Condenser						
	额定水流量(m³/h) Rated Water Flow	3.3	3.3	3.3	6.3	7.5	9.1	
接管规格 Connection Size		1 1/2	1 1/2	1 1/2	1 1/2	1 1/2	1 1/2	
压缩机组制冷量 Refrigerating capacity of compressor units	蒸发温度 Evaporating Temperature 0°C	制冷量(W) Cooling capacity	10160	14670				
		电功率(W) Power	3560	5710				
	蒸发温度 Evaporating Temperature -10°C	制冷量(W) Cooling capacity	7640	11270	14812	20050	24100	
		电功率(W) Power	3410	4970	6420	8240	9800	
	蒸发温度 Evaporating Temperature -20°C	制冷量(W) Cooling capacity	5450	8080	10160	13890	16100	19680
		电功率(W) Power	3160	4480	5710	7500	10100	10840
蒸发温度 Evaporating Temperature -40°C	制冷量(W) Cooling capacity	2340	3510	4630	6400	7590	9060	
	电功率(W) Power	2600	3690	4390	5760	7060	8330	
接口 Coupling	出液管接口 Tube coupling	1/2"	1/2"	1/2"	5/8"	5/8"	5/8"	
	吸气管接口 Suction coupling	7/8"	7/8"	7/8"	1-3/8"	1-3/8"	1-5/8"	
外形尺寸 Overall dimensions	长(L) mm Length	972	972	972	1162	1162	1162	
	宽(B) mm Width	450	450	450	450	450	450	
	高(H) mm Height	726	726	726	875	875	875	
安装尺寸 Mounting dimensions	长(D) mm Length	500	500	500	600	600	600	
	宽(E) mm Width	380	380	380	380	380	380	

机组标准配置: 压缩机、壳管式冷凝器、压控、压力表、过滤器、电磁阀、接线盒等。
Standard configuration of units: compressor, scroll and tube condenser, pressure controller, pressure gauge, filter, solenoid valve and wiring box, etc.

说明Note:

- 表中制冷量为冷凝温度40°C。
- Cooling capacity in the form is calculated when the condensing temperature is 40°C.
- 可根据要求增加配置。
- Configuration can be added according to customers' requirements.



中低温水冷冷凝机组

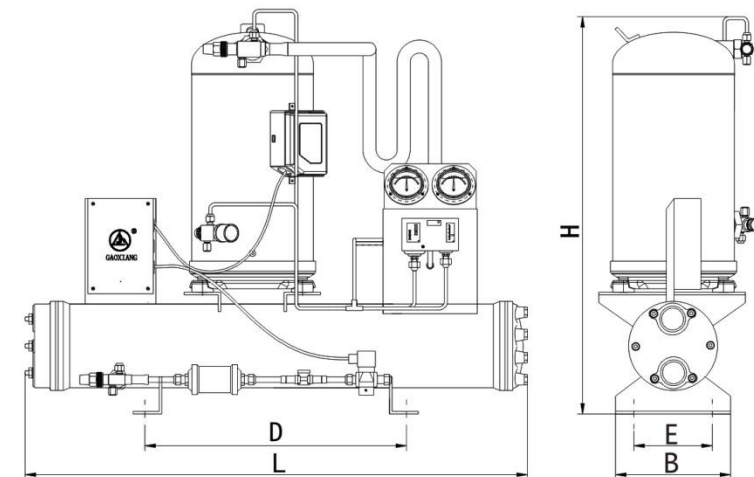
Medium and Low Temperature Water-cooled Condensing Unit
涡旋系列 Scroll Series

机组型号 Model of units		GXN4CQZD	GXN6CQZD	GXN7.5CQZD	GXN10CQZD	GXN13CQZD	GXN15CQZD	
适用蒸发温度(°C) Applicable Temperature(°C)		0--40°C						
制冷剂 Refrigerant		R404						
电源 Power supply		380V/50Hz						
冷凝器 Condenser	形式 Form	壳管式冷凝器 Scroll and tube Condenser						
	额定水流量(m³/h) Rated Water Flow	3.3	3.3	3.3	6.3	7.5	9.1	
接管规格 Connection Size		1 1/2	1 1/2	1 1/2	1 1/2	1 1/2	1 1/2	
压缩机组制冷量 Refrigerating capacity of compressor units	蒸发温度 Evaporating Temperature 0°C	制冷量(W) Cooling capacity	12740	18210				
		电功率(W) Power	3550	5730				
	蒸发温度 Evaporating Temperature -10°C	制冷量(W) Cooling capacity	9130	12920	15730	21710	26400	
		电功率(W) Power	3810	5980	7410	12100	12100	
	蒸发温度 Evaporating Temperature -20°C	制冷量(W) Cooling capacity	6640	9520	12000	16330	19870	22540
		电功率(W) Power	3280	5060	6200	8300	10130	1170
蒸发温度 Evaporating Temperature -40°C	制冷量(W) Cooling capacity	2940	4630	5720	7880	9600	10850	
	电功率(W) Power	3020	4250	4820	6700	8160	9490	
接口 Coupling	出液管接口 Tube coupling	1/2"	1/2"	1/2"	5/8"	5/8"	5/8"	
	吸气管接口 Suction coupling	7/8"	7/8"	7/8"	1-3/8"	1-3/8"	1-5/8"	
外形尺寸 Overall dimensions	长(L) mm Length	972	972	972	1162	1162	1162	
	宽(B) mm Width	450	450	450	450	450	450	
	高(H) mm Height	726	726	726	875	875	875	
安装尺寸 Mounting dimensions	长(D) mm Length	500	500	500	600	600	600	
	宽(E) mm Width	380	380	380	380	380	380	

机组标准配置: 压缩机、壳管式冷凝器、压控、压力表、过滤器、电磁阀、接线盒等。
Standard configuration of units: compressor, scroll and tube condenser, pressure controller, pressure gauge, filter, solenoid valve and wiring box, etc.

说明Note:

- 表中制冷量为冷凝温度40°C。
- Cooling capacity in the form is calculated when the condensing temperature is 40°C.
- 可根据要求增加配置。
- Configuration can be added according to customers' requirements.



产品特点

Products features

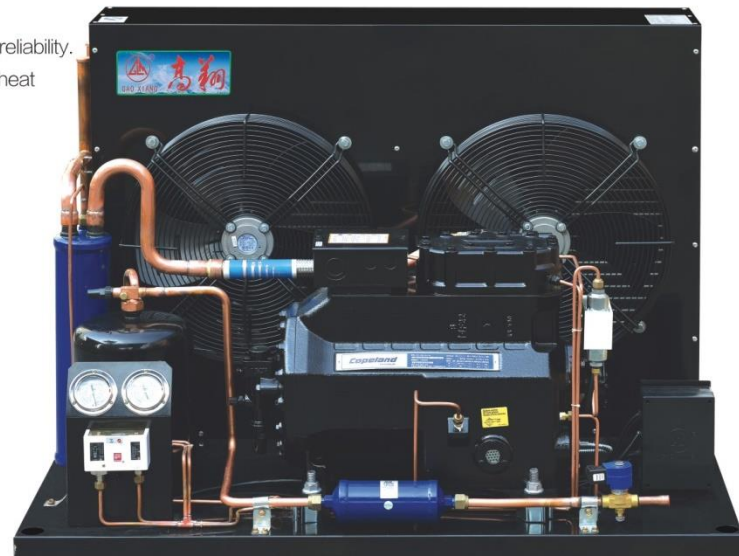
根据市场发展的需要,本公司推出半封闭风冷机组和半封闭箱式冷凝机组形式,满足12.5℃~-40℃不同的需要,广泛适用于医疗机械、食品、生物制药、化工等行业。

According to requirements of market development,our company has produced semi-hermetic air-cooled units and semi-hermetic box-type condensing units,in order to meet different demands ranging from 12.5℃ to -40℃,this product is widely used in industries such as medical apparatus,food,bio-pharmacy and chemical,etc.

该系列产品具有如下特点:

This series product is equipped with features as follows

- 选用国际品牌制冷压缩机,质量好,噪音低,可靠性高。
- 采用铜管铝片式冷凝器,换热效率高,使用寿命长。
- Select international brand comprssor,good quality,low noise and high reliability.
- Adopt copper tubes and aluminum fins condensers,high efficiency of heat exchange and long service life.



型号说明 Model description:

G X W 20 C B F G S

- 表示双极 Symbolized two-stage
- 工作温度 G高 Z中 D低 Working temperature G-high Z-medium D-low
- 冷却方式 F表示风冷 水冷不表示 Cooling mode F-air-cooled Water-cooled is not shown
- 压缩机头 B表示半封闭 Q表示全封闭 Compressor B-semi-hermetic Q-hermetic
- C表示谷轮
- 名义马力 Nominal power
- W室外 N室内 W-outdoor N-indoor
- 高翔牌 GAOXIANG brand

中高温风冷冷凝机组

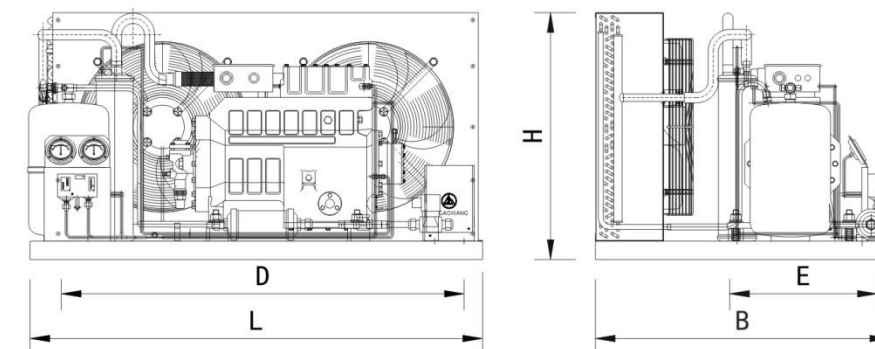
Medium and High Temperature Air-cooled Condensing Unit

半封闭系列 Semi-hermetic Series

机组型号 Model of units		GXN3CBFZG	GXN4CBFZG	GXN5CBFZG	GXN8CBFZG	GXN10CBFZG	GXN15CBFZG	
适用蒸发温度(℃) Applicable Temperature(℃)		+5~-20℃						
制冷剂 Refrigerant		R22						
电源 Power supply		380V/50Hz						
冷凝器 Condenser	风机数量(只) Quantity of Fan(piece)	2	2	2	2	2	2	
	风量(m³/h) Air volume(m³/h)	2×1800	2×3000	2×3000	2×4500	2×4500	2×8720	
	风机功率(W) Power of Fan(W)	2×120	2×120	2×120	2×180	2×180	2×600	
压缩机组制冷量 Refrigerating capacity of compressor units	蒸发温度 Evaporating Temperature -5℃	制冷量(W) Cooling capacity Power	5657	7119	9342	13185	18936	27630
	蒸发温度 Evaporating Temperature -10℃	制冷量(W) Cooling capacity Power	3037	3636	4596	6060	9242	11918
	蒸发温度 Evaporating Temperature -15℃	制冷量(W) Cooling capacity Power	4199	5236	7115	9979	14526	21148
	蒸发温度 Evaporating Temperature -15℃	制冷量(W) Cooling capacity Power	2550	2763	3570	4590	7065	10115
	蒸发温度 Evaporating Temperature -15℃	制冷量(W) Cooling capacity Power	3456	4284	5913	8163	12144	19846
	蒸发温度 Evaporating Temperature -15℃	制冷量(W) Cooling capacity Power	2500	2903	3813	4798	7575	9675
接口 Coupling	出液管接口 Tube coupling	3/8"	3/8"	1"	5/8"	5/8"	5/8"	
	吸气管接口 Suction coupling	3/4"	3/4"	1/2"	1-1/8"	1-1/8"	1-1/8"	
外形尺寸 Overall dimensions	长(L) mm Length	1010	1010	1010	1250	1430	1430	
	宽(B) mm Width	710	710	710	810	900	900	
	高(H) mm Height	520	570	570	780	880	1080	
安装尺寸 Mounting dimensions	长(D) mm Length	960	960	960	1180	1390	1390	
	宽(E) mm Width	420	420	420	520	600	600	
机组标准配置: 压缩机、冷凝器、储液器、压控、压力表、过滤器、电磁阀、接线盒等。 Standard configuration of units: compressor, condenser, liquid receiver, pressure controller, pressure gauge, filter, solenoid valve and wiring box, etc.								

说明Note:

- 表中制冷量为环境温度32℃。
- 可根据要求增加配置。
- 当压缩机采用R22制冷剂,使用低于-15℃蒸发温度的范围,必须加装缸头风扇!当蒸发温度低于-25℃时,同时还须加装压缩机喷液系统。
- Cooling capacity in the form is calculated when the ambient temperature is 32℃.
- Configuration can be added according to customers' requirements.
- When the compressor uses refrige rant R22, and evaporating temperature lower than -15℃ cylinder head fan must be installed.When the evaporating temperature below -25℃ the compressor hydrojet system also must be installed.



中高温风冷冷凝机组

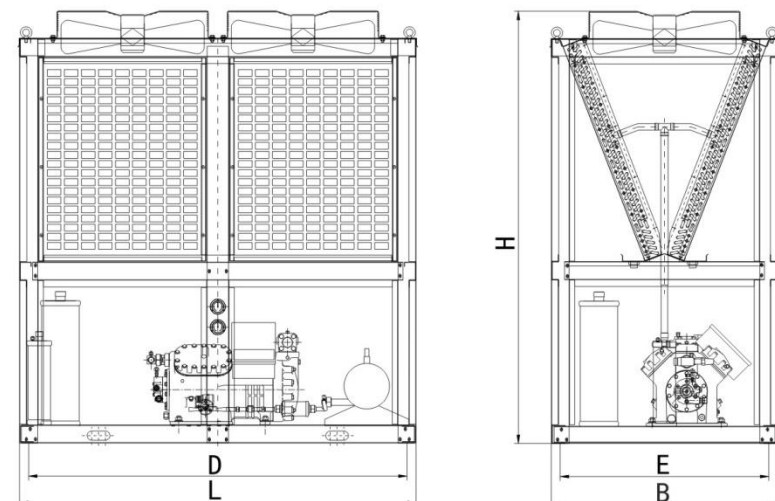
Medium and High Temperature Air-cooled Condensing Unit
半封闭系列 Semi-hermetic Series

机组型号 Model of units		GXW20CBFZG	GXW25CBFZG	GXW30CBFZG	GXW35CBFZG	GXW40CBFZG	GXW50CBFZG
适用蒸发温度(°C) Applicable Temperature(°C)		+5~-20°C					
制冷剂 Refrigerant		R22					
电源 Power supply		380V50Hz					
冷凝器 Condenser	风机数量(只) Quantity of Fan(piece)	2	2	2	3	3	3
	风量(m³/h) Air volume(m³/h)	2×12200	2×15000	2×19000	3×13200	3×15000	3×19000
	风机功率(W) Power of Fan(W)	2×800	2×750	2×1100	3×550	3×750	3×1100
压缩机组制冷量 Refrigerating capacity of compressor units	蒸发温度 Evaporating Temperature +5°C	制冷量(W) Cooling capacity 43400	60800	69200	81200	92600	110454
		电功率(W) Power 16150	19850	24300	31400	38400	44280
	蒸发温度 Evaporating Temperature -10°C	制冷量(W) Cooling capacity 26800	36200	41200	50200	56600	69160
		电功率(W) Power 12200	15500	18350	23800	28000	32240
	蒸发温度 Evaporating Temperature -15°C	制冷量(W) Cooling capacity 22100	25500	33600	41600	46400	57680
		电功率(W) Power 11050	14800	16500	21600	25000	28737
接口 Coupling	出液管接口 Tube coupling	3/4"	3/4"	3/4"	7/8"	7/8"	1-1/8"
	吸气管接口 Suction coupling	1-5/8"	2-1/8"	2-1/8"	2-1/8"	2-1/8"	2-5/8"
外形尺寸 Overall dimensions	长(L) mm Length	1750	1900	2250	2650	2950	3400
	宽(B) mm Width	1000	1175	1175	1175	1175	1175
	高(H) mm Height	1900	1980	1980	1980	1980	1980
安装尺寸 Mounting dimensions	长(D) mm Length	1050	1200	1550	1950	2250	2700
	宽(E) mm Width	920	1100	1100	1100	1100	1100

机组标准配置: 压缩机、冷凝器、储液器、压控、压力表、过滤器、电磁阀、接线盒等。
Standard configuration of units: compressor, condenser, liquid receiver, pressure controller, pressure gauge, filter, solenoid valve and wiring box, etc.

说明Note:

- 表中制冷量为环境温度32°C。
- 可根据要求增加配置。
- 当压缩机采用R22制冷剂, 使用低于-15°C蒸发温度的范围, 必须加装缸头风扇! 当蒸发温度低于-25°C时, 同时还须加装压缩机喷液系统。
- Cooling capacity in the form is calculated when the ambient temperature is 32°C.
- Configuration can be added according to customers' requirements.
- When the compressor uses refrigerant R22, and evaporating temperature lower than -15°C cylinder head fan must be installed. When the evaporating temperature below -25°C the compressor hydrojet system also must be installed.



中高温风冷冷凝机组

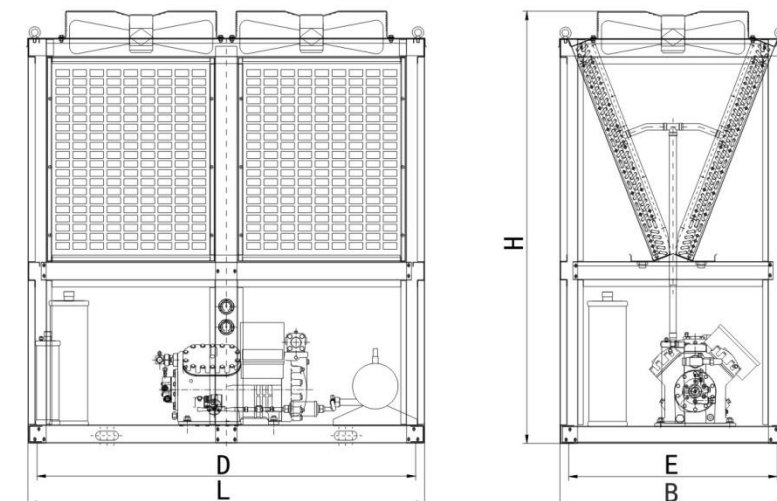
Medium and High Temperature Air-cooled Condensing Unit
半封闭系列 Semi-hermetic Series

机组型号 Model of units		GXW20CBFZG	GXW25CBFZG	GXW30CBFZG	GXW35CBFZG	GXW40CBFZG	GXW50CBFZG
适用蒸发温度(°C) Applicable Temperature(°C)		+5~-20°C					
制冷剂 Refrigerant		R404A					
电源 Power supply		380V50Hz					
冷凝器 Condenser	风机数量(只) Quantity of Fan(piece)	2	2	2	3	3	3
	风量(m³/h) Air volume(m³/h)	2×12200	2×15000	2×19000	3×13200	3×15000	3×19000
	风机功率(W) Power of Fan(W)	2×800	2×750	2×1100	3×550	3×750	3×1100
压缩机组制冷量 Refrigerating capacity of compressor units	蒸发温度 Evaporating Temperature +5°C	制冷量(W) Cooling capacity 41600	60900	65900	81600	85000	100300
		电功率(W) Power 18050	22300	26900	34400	38600	45400
	蒸发温度 Evaporating Temperature -0°C	制冷量(W) Cooling capacity 36000	52200	57900	70800	76400	82280
		电功率(W) Power 15850	20600	25000	31800	38300	41400
	蒸发温度 Evaporating Temperature -15°C	制冷量(W) Cooling capacity 21700	30300	36100	43150	48200	58000
		电功率(W) Power 12150	15850	18850	25200	27500	31400
接口 Coupling	出液管接口 Tube coupling	3/4"	3/4"	3/4"	7/8"	7/8"	1-1/8"
	吸气管接口 Suction coupling	1-5/8"	2-1/8"	2-1/8"	2-1/8"	2-1/8"	2-5/8"
外形尺寸 Overall dimensions	长(L) mm Length	1750	1900	2250	2650	2950	3400
	宽(B) mm Width	1000	1175	1175	1175	1175	1175
	高(H) mm Height	1900	1980	1980	1980	1980	1980
安装尺寸 Mounting dimensions	长(D) mm Length	1050	1200	1550	1950	2250	2700
	宽(E) mm Width	920	1100	1100	1100	1100	1100

机组标准配置: 压缩机、冷凝器、储液器、压控、压力表、过滤器、电磁阀、接线盒等。
Standard configuration of units: compressor, condenser, liquid receiver, pressure controller, pressure gauge, filter, solenoid valve and wiring box, etc.

说明Note:

- 表中制冷量为环境温度32°C。
- 可根据要求增加配置。
- 当压缩机采用R404A制冷剂, 使用低于-20°C蒸发温度的范围, 必须加装缸头风扇!
- Cooling capacity in the form is calculated when the ambient temperature is 32°C.
- Configuration can be added according to customers' requirements.
- When the compressor uses refrigerant R404A, and evaporating temperature lower than -20°C cylinder head fan must be installed.



中低温风冷冷凝机组

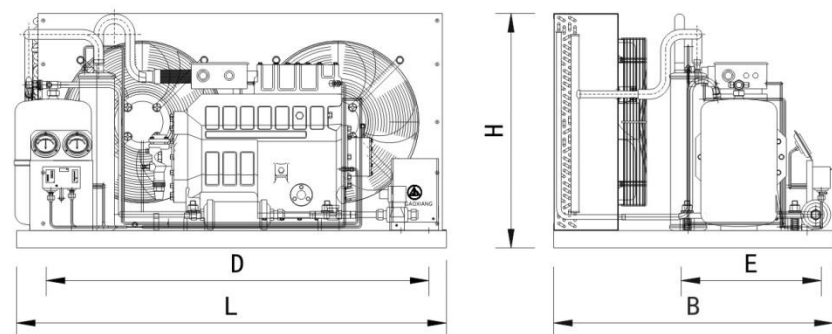
 Medium and Low Temperature Air-cooled Condensing Unit
 半封闭系列 Semi-hermetic Series

机组型号 Model of units		GXN2CBFZD	GXN3CBFZD	GXN4CBFZD	GXN10CBFZD	GXN15CBFZD
适用蒸发温度(°C) Applicable Temperature(°C)		-5~-40°C				
制冷剂 Refrigerant		R22				
电源 Power supply		380V50Hz				
冷凝器 Condenser	风机数量(只) Quantity of Fan(piece)	1	2	2	2	2
	风量(m³/h) Air volume(m³/h)	1×1800	2×1800	2×3000	2×4500	2×8720
	风机功率(W) Power of Fan(W)	1×120	2×120	2×120	2×180	2×600
压缩机组制冷量 Refrigerating capacity of compressor units	蒸发温度 Evaporating Temperature -15°C	3050	4420	6570	14450	19500
	电功率(W) Power	1930	2590	3620	7700	10500
	蒸发温度 Evaporating Temperature -25°C	2960	3630	4800	8940	12500
	电功率(W) Power	2090	2430	2900	6350	8520
	蒸发温度 Evaporating Temperature -35°C	1119	1730	3520	7160	9900
	电功率(W) Power	1210	1670	2950	6330	8590
接口 Coupling	出液管接口 Tube coupling	3/8"	3/8"	1/2"	5/8"	5/8"
	吸气管接口 Suction coupling	7/8"	7/8"	1-1/8"	1-3/8"	1-3/8"
外形尺寸 Overall dimensions	长(L) mm Length	600	900	950	1250	1420
	宽(B) mm Width	700	650	680	810	900
	高(H) mm Height	520	470	520	870	1080
安装尺寸 Mounting dimensions	长(D) mm Length	548	850	900	1200	1368
	宽(E) mm Width	410	370	370	510	570

机组标准配置: 压缩机、冷凝器、储液器、压控、压力表、过滤器、电磁阀、接线盒等。
 Standard configuration of units: compressor, condenser, liquid receiver, pressure controller, pressure gauge, filter, solenoid valve and wiring box, etc.

说明Note:

- 表中制冷量为环境温度32°C。
- 可根据要求增加配置。
- 当压缩机采用R22制冷剂, 使用低于-15°C蒸发温度的范围, 必须加装缸头风扇! 当蒸发温度低于-25°C时, 同时还须加装压缩机喷液系统。
- Cooling capacity in the form is calculated when the ambient temperature is 32°C.
- Configuration can be added according to customers' requirements.
- When the compressor uses refrigerant R22, and evaporating temperature lower than -15°C cylinder head fan must be installed. When the evaporating temperature below -25°C the compressor hydrojet system also must be installed.


中低温风冷冷凝机组

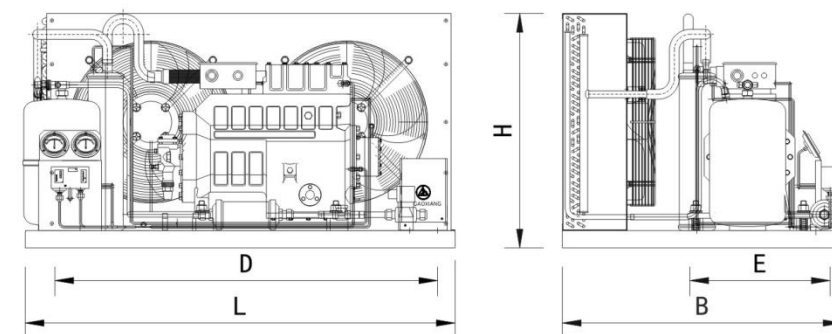
 Medium and Low Temperature Air-cooled Condensing Unit
 半封闭系列 Semi-hermetic Series

机组型号 Model of units		GXN2CBFZD	GXN3CBFZD	GXN4CBFZD	GXN10CBFZD	GXN15CBFZD
适用蒸发温度(°C) Applicable Temperature(°C)		-5~-40°C				
制冷剂 Refrigerant		R22				
电源 Power supply		380V50Hz				
冷凝器 Condenser	风机数量(只) Quantity of Fan(piece)	1	2	2	2	2
	风量(m³/h) Air volume(m³/h)	1×1800	2×1800	2×3000	2×4500	2×8720
	风机功率(W) Power of Fan(W)	1×120	2×120	2×120	2×180	2×600
压缩机组制冷量 Refrigerating capacity of compressor units	蒸发温度 Evaporating Temperature -15°C		5690	6810	16250	19950
	电功率(W) Power		3400	4170	8610	11850
	蒸发温度 Evaporating Temperature -25°C	2830	3800	4580	10700	13650
	电功率(W) Power	2070	2690	3210	6870	9190
	蒸发温度 Evaporating Temperature -35°C	1650	2260	2750	6370	8480
	电功率(W) Power	1490	2020	2400	5198	6940
接口 Coupling	出液管接口 Tube coupling	3/8"	3/8"	1/2"	5/8"	5/8"
	吸气管接口 Suction coupling	7/8"	7/8"	1-1/8"	1-3/8"	1-3/8"
外形尺寸 Overall dimensions	长(L) mm Length	600	900	950	1250	1420
	宽(B) mm Width	700	650	680	810	900
	高(H) mm Height	520	470	520	870	1080
安装尺寸 Mounting dimensions	长(D) mm Length	548	850	900	1200	1368
	宽(E) mm Width	410	370	370	510	570

机组标准配置: 压缩机、冷凝器、储液器、压控、压力表、过滤器、电磁阀、接线盒等。
 Standard configuration of units: compressor, condenser, liquid receiver, pressure controller, pressure gauge, filter, solenoid valve and wiring box, etc.

说明Note:

- 表中制冷量为环境温度32°C。
- 可根据要求增加配置。
- 当压缩机采用R404A制冷剂, 使用低于-20°C蒸发温度的范围, 必须加装缸头风扇!
- Cooling capacity in the form is calculated when the ambient temperature is 32°C.
- Configuration can be added according to customers' requirements.
- When the compressor uses refrigerant R404A, and evaporating temperature lower than -20°C cylinder head fan must be installed.



中低温风冷冷凝机组

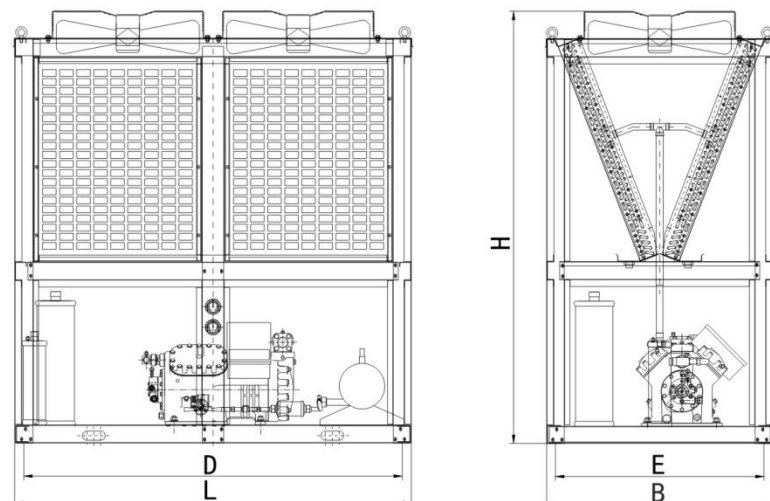
 Medium and Low Temperature Air-cooled Condensing Unit
 半封闭系列 Semi-hermetic Series

机组型号 Model of units		GXW15CBFZD	GXW20CBFZD	GXW25CBFZD	GXW32CBFZD	GXW40CBFZD
适用蒸发温度(°C) Applicable Temperature(°C)		-5~-40°C				
制冷剂 Refrigerant		R22				
电源 Power supply		380V50Hz				
冷凝器 Condenser	风机数量(只) Quantity of Fan(piece)	2	2	2	2	2
	风量(m³/h) Air volume(m³/h)	2×8720	2×10820	2×10820	2×15000	2×19000
	风机功率(W) Power of Fan(W)	2×600	2×780	2×780	2×750	2×1100
压缩机组制冷量 Refrigerating capacity of compressor units	蒸发温度 Evaporating Temperature -15°C	制冷量(W) Cooling capacity 25500	17150	22200	26000	29700
	电功率(W) Power	14800	17150	22200	26000	29700
	蒸发温度 Evaporating Temperature -25°C	制冷量(W) Cooling capacity 16700	19100	25200	28600	28645
	电功率(W) Power	11450	13050	17500	19900	13500
	蒸发温度 Evaporating Temperature -35°C	制冷量(W) Cooling capacity 9900	11250	14500	16750	20988
	电功率(W) Power	8590	9630	13200	14900	18974
接口 Coupling	出液管接口 Tube coupling	5/8"	3/4"	3/4"	7/8"	7/8"
	吸气管接口 Suction coupling	1-5/8"	2-1/8"	2-1/8"	2-1/8"	2-5/8"
外形尺寸 Overall dimensions	长(L) mm Length	1550	1700	1700	1900	2250
	宽(B) mm Width	900	1000	1000	1175	1175
	高(H) mm Height	1500	1780	1780	1980	1980
安装尺寸 Mounting dimensions	长(D) mm Length	900	1000	1000	1200	1550
	宽(E) mm Width	820	920	920	1100	1100

机组标准配置: 压缩机、冷凝器、储液器、压控、压力表、过滤器、电磁阀、接线盒等。
 Standard configuration of units: compressor, condenser, liquid receiver, pressure controller, pressure gauge, filter, solenoid valve and wiring box, etc.

说明Note:

- 表中制冷量为环境温度32°C。
- 可根据要求增加配置。
- 当压缩机采用R22制冷剂, 使用低于-15°C蒸发温度的范围, 必须加装缸头风扇! 当蒸发温度低于-25°C时, 同时还须加装压缩机喷液系统。
- Cooling capacity in the form is calculated when the ambient temperature is 32°C.
- Configuration can be added according to customers' requirements.
- When the compressor uses refrige rant R22, and evaporating temperature lower than -15°C cylinder head fan must be installed. When the evaporating temperature below -25°C the compressor hydrojet system also must be installed.


中低温风冷冷凝机组

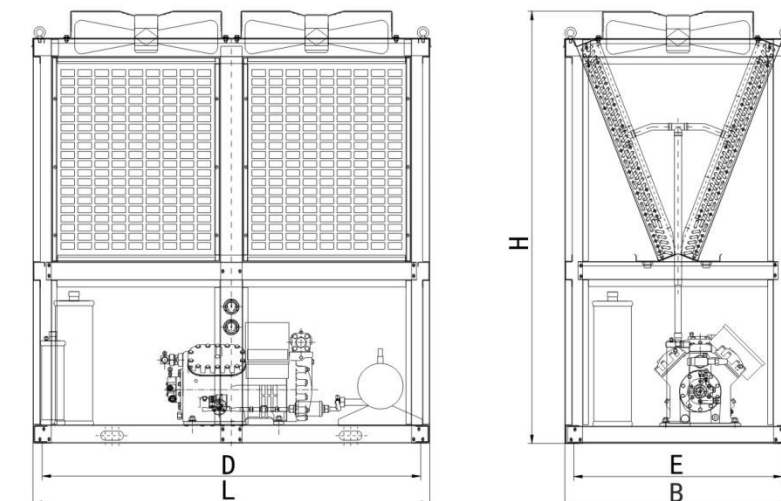
 Medium and Low Temperature Air-cooled Condensing Unit
 半封闭系列 Semi-hermetic Series

机组型号 Model of units		GXW15CBFZD	GXW20CBFZD	GXW25CBFZD	GXW32CBFZD	GXW40CBFZD
适用蒸发温度(°C) Applicable Temperature(°C)		-5~-40°C				
制冷剂 Refrigerant		R22				
电源 Power supply		380V50Hz				
冷凝器 Condenser	风机数量(只) Quantity of Fan(piece)	2	2	2	2	2
	风量(m³/h) Air volume(m³/h)	2×8720	2×10820	2×10820	2×15000	2×19000
	风机功率(W) Power of Fan(W)	2×600	2×780	2×780	2×750	2×1100
压缩机组制冷量 Refrigerating capacity of compressor units	蒸发温度 Evaporating Temperature -15°C	制冷量(W) Cooling capacity 25300	28800	31600	41500	46300
	电功率(W) Power	16700	19800	25400	23600	27700
	蒸发温度 Evaporating Temperature -25°C	制冷量(W) Cooling capacity 13250	17200	22400	27000	30400
	电功率(W) Power	9560	12800	14050	18500	21200
	蒸发温度 Evaporating Temperature -35°C	制冷量(W) Cooling capacity 10350	13600	18100	20900	23400
	电功率(W) Power	8400	11050	16200	16150	18150
接口 Coupling	出液管接口 Tube coupling	5/8"	3/4"	3/4"	7/8"	7/8"
	吸气管接口 Suction coupling	1-5/8"	2-1/8"	2-1/8"	2-1/8"	2-5/8"
外形尺寸 Overall dimensions	长(L) mm Length	1550	1700	1700	1900	2250
	宽(B) mm Width	900	1000	1000	1175	1175
	高(H) mm Height	1500	1780	1780	1980	1980
安装尺寸 Mounting dimensions	长(D) mm Length	900	1000	1000	1200	1550
	宽(E) mm Width	820	920	920	1100	1100

机组标准配置: 压缩机、冷凝器、储液器、压控、压力表、过滤器、电磁阀、接线盒等。
 Standard configuration of units: compressor, condenser, liquid receiver, pressure controller, pressure gauge, filter, solenoid valve and wiring box, etc.

说明Note:

- 表中制冷量为环境温度32°C。
- 可根据要求增加配置。
- 当压缩机采用R404A制冷剂, 使用低于-20°C蒸发温度的范围, 必须加装缸头风扇!
- Cooling capacity in the form is calculated when the ambient temperature is 32°C.
- Configuration can be added according to customers' requirements.
- When the compressor uses refrige rant R404A, and evaporating temperature lower than -20°C cylinder head fan must be installed.



中低温风冷冷凝机组

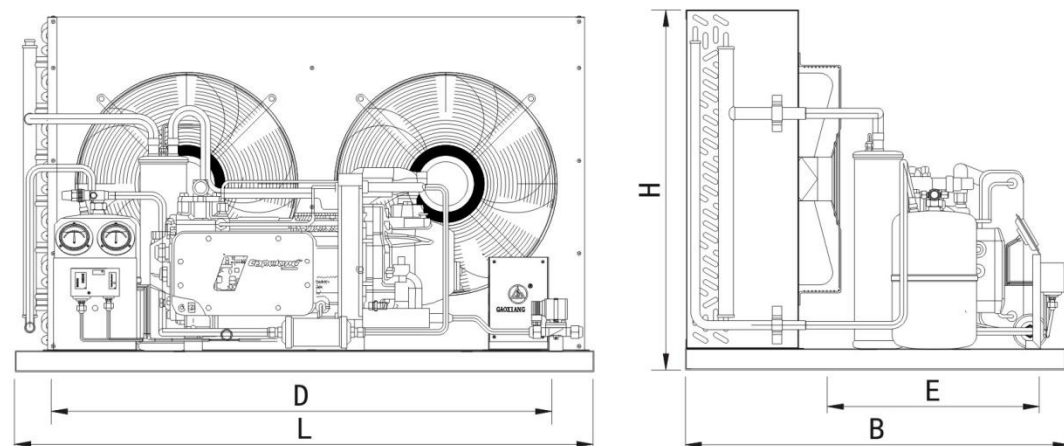
 Medium and Low Temperature Air-cooled Condensing Unit
 半封闭系列 Semi-hermetic Series

机组型号 Model of units		GXN5CBFZD	GXN8CBFZD	GXN10CBFZD	GXN12CBFZD	GXN13CBFZD	GXN15CBFZD	
适用蒸发温度(°C) Applicable Temperature(°C)		+10~-40°C						
制冷剂 Refrigerant		R22						
电源 Power supply		380V50Hz						
冷凝器 Condenser	风机数量(只) Quantity of Fan(piece)	2	2	2	2	2	2	
	风量(m³/h) Air volume(m³/h)	2×2700	2×2700	2×2700	2×2700	2×4200	2×4200	
	风机功率(W) Power of Fan(W)	2×250	2×250	2×250	2×250	2×450	2×450	
压缩机组制冷量 Refrigerating capacity of compressor units	蒸发温度 Evaporating Temperature -10°C	制冷量(W) Cooling capacity	10845	13095	14454	15345	17280	
		电功率(W) Power	5780	6200	6800	7960	9200	
	蒸发温度 Evaporating Temperature -30°C	制冷量(W) Cooling capacity	5202	5832	6435	7020	8280	9450
		电功率(W) Power	5400	5400	5900	6850	7800	8760
接口 Coupling	出液管接口 Tube coupling	1/2"	1/2"	5/8"	5/8"	5/8"	5/8"	
	吸气管接口 Suction coupling	1-1/8"	1-1/8"	1-1/8"	1-1/8"	1-1/8"	1-1/8"	
外形尺寸 Overall dimensions	长(L) mm Length	1250	1250	1250	1250	1420	1420	
	宽(B) mm Width	810	810	810	810	850	850	
	高(H) mm Height	670	670	770	870	920	1070	
安装尺寸 Mounting dimensions	长(D) mm Length	1200	1200	1200	1200	1370	1370	
	宽(E) mm Width	510	510	510	510	510	510	

机组标准配置: 压缩机、冷凝器、储液器、压控、压力表、过滤器、电磁阀、接线盒等。
 Standard configuration of units: compressor, condenser, liquid receiver, pressure controller, pressure gauge, filter, solenoid valve and wiring box, etc.

说明Note:

- 表中制冷量为环境温度32°C。
- Cooling capacity in the form is calculated when the ambient temperature is 32°C.
- 可根据要求增加配置。
- Configuration can be added according to customers' requirements.


中低温风冷冷凝机组

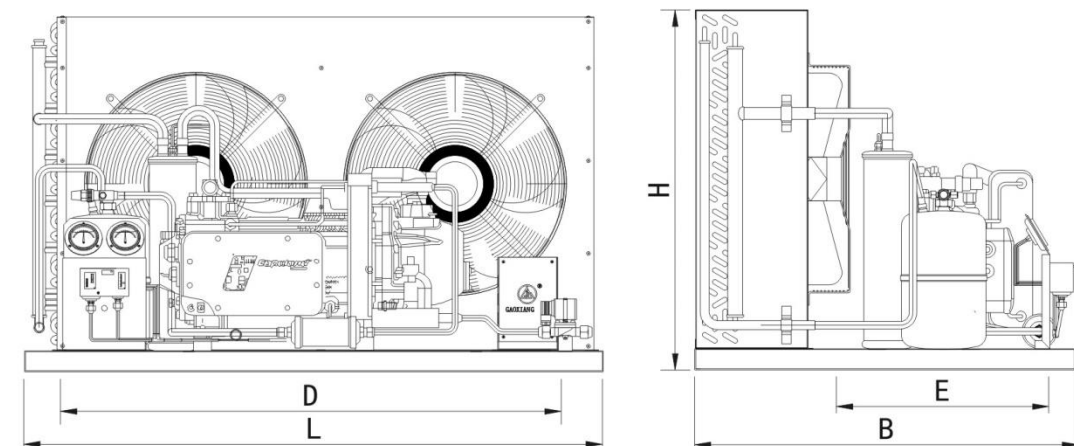
 Medium and Low Temperature Air-cooled Condensing Unit
 半封闭系列 Semi-hermetic Series

机组型号 Model of units		GXN5CBFZD	GXN8CBFZD	GXN10CBFZD	GXN12CBFZD	GXN13CBFZD	GXN15CBFZD	
适用蒸发温度(°C) Applicable Temperature(°C)		+10~-40°C						
制冷剂 Refrigerant		R404A						
电源 Power supply		380V50Hz						
冷凝器 Condenser	风机数量(只) Quantity of Fan(piece)	2	2	2	2	2	2	
	风量(m³/h) Air volume(m³/h)	2×2700	2×2700	2×2700	2×2700	2×4200	2×4200	
	风机功率(W) Power of Fan(W)	2×250	2×250	2×250	2×250	2×450	2×450	
压缩机组制冷量 Refrigerating capacity of compressor units	蒸发温度 Evaporating Temperature -10°C	制冷量(W) Cooling capacity	11520	13284	14850	17550	18090	
		电功率(W) Power	6500	7100	7560	8500	9700	
	蒸发温度 Evaporating Temperature -30°C	制冷量(W) Cooling capacity	6450	6732	7335	7290	8730	9945
		电功率(W) Power	5805	6300	6850	7380	9382	9800
接口 Coupling	出液管接口 Tube coupling	1/2"	1/2"	5/8"	5/8"	5/8"	5/8"	
	吸气管接口 Suction coupling	1-1/8"	1-1/8"	1-1/8"	1-1/8"	1-1/8"	1-1/8"	
外形尺寸 Overall dimensions	长(L) mm Length	1250	1250	1250	1250	1420	1420	
	宽(B) mm Width	810	810	810	810	850	850	
	高(H) mm Height	670	670	770	870	920	1070	
安装尺寸 Mounting dimensions	长(D) mm Length	1200	1200	1200	1200	1370	1370	
	宽(E) mm Width	510	510	510	510	510	510	

机组标准配置: 压缩机、冷凝器、储液器、压控、压力表、过滤器、电磁阀、接线盒等。
 Standard configuration of units: compressor, condenser, liquid receiver, pressure controller, pressure gauge, filter, solenoid valve and wiring box, etc.

说明Note:

- 表中制冷量为环境温度32°C。
- Cooling capacity in the form is calculated when the ambient temperature is 32°C.
- 可根据要求增加配置。
- Configuration can be added according to customers' requirements.



产品特点

Products features

- 选用国际品牌制冷压缩机，质量好，运行可靠。
- 采用高效壳管式冷凝器，换热效率高，使用寿命长。
- 压缩机运行时噪音小，效率高，整机外形美观。
- Select international brand compressor, good quality and reliable operation.
- Adopt high efficiency shell and tube condenser, boast high efficiency of heat exchange and long service life.
- The operation of this compressor has low noise and high efficiency. The whole machine has nice appearance.



型号说明 Model description:

G X W 20 C B F G S

- 表示双极 Symbolized two-stage
- 工作温度 G高 Z中 D低 Working temperature G-high Z-medium D-low
- 冷却方式 F表示风冷 水冷不表示 Cooling mode F-air-cooled Water-cooled is not shown
- 压缩机头 B表示半封闭 Q表示全封闭 Compressor B-semi-hermetic Q-hermetic
- C表示谷轮
- 名义马力 Nominal power
- W室外 N室内 W-outdoor N-indoor
- 高翔牌 GAOXIANG brand

中高温水冷冷凝机组

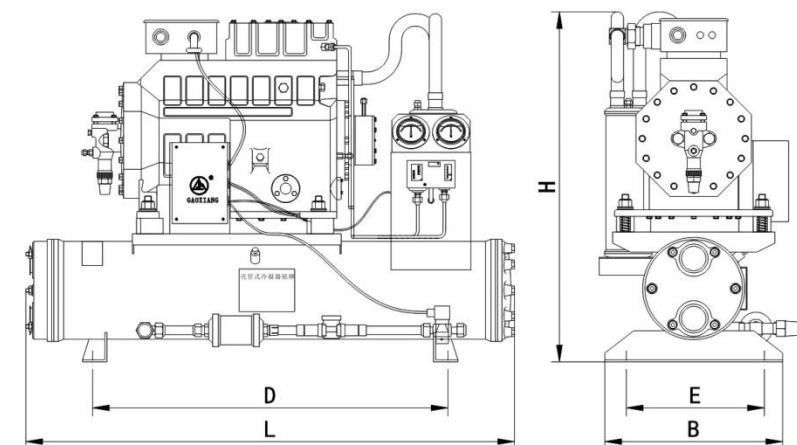
Medium and High Temperature Water-cooled Condensing Unit
半封闭系列 Semi-hermetic Series

机组型号 Model of units	GXN3CBZG	GXN4CBZG	GXN5CBZG	GXN8CBZG	GXN10CBZG	GXN15CBZG	
适用蒸发温度(°C) Applicable Temperature(°C)	+5~-20°C						
制冷剂 Refrigerant	R22						
电源 Power supply	380V/50Hz						
冷凝器 Condenser	形式 Form 壳管式冷凝器 Scroll and tube Condenser						
	额定水流量(m³/h) Rated Water Flow	1.6	2	2.5	3.5	5	7
压缩机组制冷量 Refrigerating capacity of compressor units	接管规格 Connection Size	1"	1-1/4"	1-1/4"	1-1/4"	1-1/2"	2"
	蒸发温度 -5°C Evaporating Temperature -5°C	6642	8280	10575	15273	21357	31401
	蒸发温度 -15°C Evaporating Temperature -15°C	2727	3257	4116	5475	8282	11918
	蒸发温度 -20°C Evaporating Temperature -20°C	4077	5130	6858	9450	13185	20304
	制冷量(W) Cooling capacity Power	2374	2752	3537	4585	6979	9990
	电功率(W) Power	3033	3825	5445	7425	10890	14437
接口 Coupling	出液管接口 Tube coupling	3/8"	3/8"	1/2"	5/8"	5/8"	5/8"
	吸气管接口 Suction coupling	3/4"	3/4"	1"	1-1/8"	1-1/8"	1-3/8"
外形尺寸 Overall dimensions	长(L) mm Length	946	972	972	972	1162	1162
	宽(B) mm Width	300	350	350	450	450	450
	高(H) mm Height	498	604	604	690	690	690
安装尺寸 Mounting dimensions	长(D) mm Length	500	500	500	500	600	600
	宽(E) mm Width	250	300	300	380	380	380

机组标准配置: 压缩机、壳管式冷凝器、压控、压力表、过滤器、电磁阀、接线盒等。
Standard configuration of units: compressor, scroll and tube condenser, pressure controller, pressure gauge, filter, solenoid valve and wiring box, etc.

说明Note:

- 表中制冷量为冷凝温度40°C。
- 可根据要求增加配置。
- 当压缩机采用R22制冷剂，使用低于-15°C蒸发温度的范围，必须加装缸头风扇！当蒸发温度低于-25°C时，同时还须加装压缩机喷液系统。
- Cooling capacity in the form is calculated when the condensing temperature is 40°C.
- Configuration can be added according to customers' requirements.
- When the compressor uses refrigerant R22, the use of lower than -15°C evaporating temperature range, you must install the cylinder head and the fan! When the evaporating temperature is below -25°C at the same time, compressor hydrojet system also must be installed.



中高温水冷冷凝机组

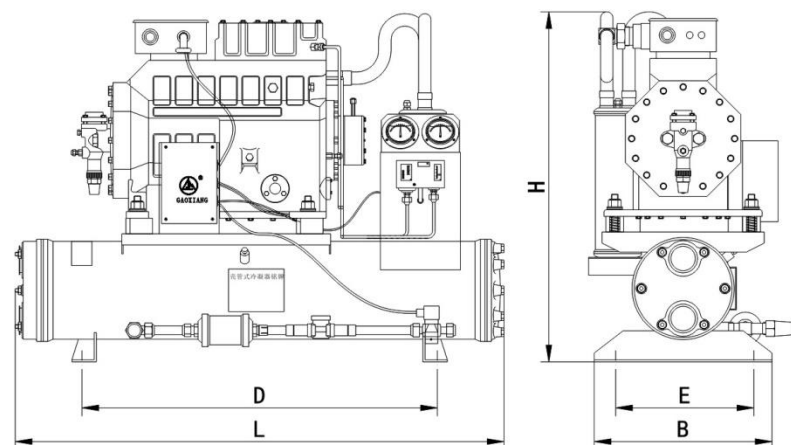
Medium and High Temperature Water-cooled Condensing Unit
半封闭系列 Semi-hermetic Series

机组型号 Model of units		GXN20CBZG	GXN25CBZG	GXN30CBZG	GXN35CBZG	GXN40CBZG	GXN50CBZG
适用蒸发温度(°C) Applicable Temperature(°C)		+5~-20°C					
制冷剂 Refrigerant		R22					
电源 Power supply		380V50Hz					
冷凝器 Condenser	形式 Form	壳管式冷凝器 Scroll and tube Condenser					
	额定水流量(m³/h) Rated Water Flow	8	10	12	15	17	22
压缩机组制冷量 Refrigerating capacity of compressor units	接管规格 Connection Size	2"	2"	2"	2-1/2"	2-1/2"	2-1/2"
	蒸发温度 Evaporating Temperature -5°C	制冷量(W) Cooling capacity 44000	57000	67000	81600	98000	118000
		电功率(W) Power 12400	16000	19450	24700	29300	34300
	蒸发温度 Evaporating Temperature -15°C	制冷量(W) Cooling capacity 30000	39000	45800	56000	66500	79000
		电功率(W) Power 11400	14550	17400	22400	26400	30700
	蒸发温度 Evaporating Temperature -20°C	制冷量(W) Cooling capacity 19900	25330	29300	37000	42670	51680
		电功率(W) Power 9870	12450	14650	19350	22400	25800
接口 Coupling	出液管接口 Tube coupling	3/4"	3/4"	3/4"	7/8"	1-1/8"	1-1/8"
	吸气管接口 Suction coupling	1-5/8"	2-1/8"	2-1/8"	2-1/8"	2-1/8"	2-5/8"
外形尺寸 Overall dimensions	长(L) mm Length	1162	1360	1360	1360	1440	1646
	宽(B) mm Width	500	500	500	500	500	500
	高(H) mm Height	781	781	781	828	883	883
安装尺寸 Mounting dimensions	长(D) mm Length	600	800	800	800	800	1000
	宽(E) mm Width	400	400	400	400	400	400

机组标准配置: 压缩机、壳管式冷凝器、压控、压力表、过滤器、电磁阀、接线盒等。
Standard configuration of units: compressor, scroll and tube condenser, pressure controller, pressure gauge, filter, solenoid valve and wiring box, etc.

说明Note:

- 表中制冷量为冷凝温度40°C。
- 可根据要求增加配置。
- 当压缩机采用R22制冷剂, 使用低于-15°C蒸发温度的范围, 必须加装缸头风扇! 当蒸发温度低于-25°C时, 同时还须加装压缩机喷液系统。
- Cooling capacity in the form is calculated when the condensing temperature is 40°C.
- Configuration can be added according to customers' requirements.
- When the compressor uses refrigerant R22, the use of lower than -15°C evaporating temperature range, you must install the cylinder head and the fan! When the evaporating temperature is below -25°C at the same time, compressor hydrojet system also must be installed.



中高温水冷冷凝机组

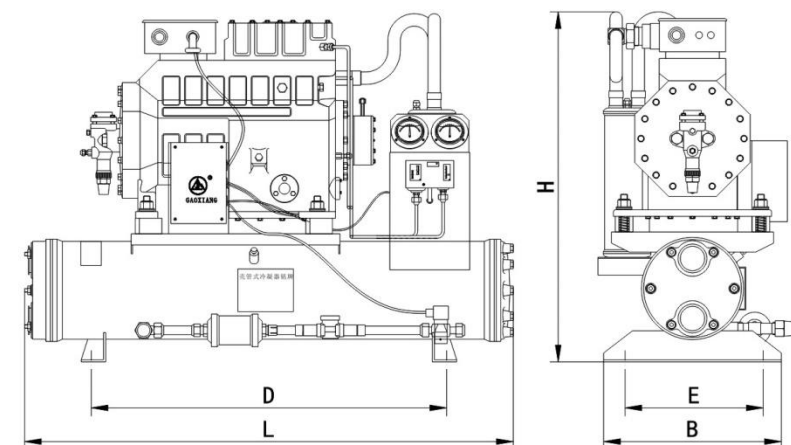
Medium and High Temperature Water-cooled Condensing Unit
半封闭系列 Semi-hermetic Series

机组型号 Model of units		GXN20CBZG	GXN25CBZG	GXN30CBZG	GXN35CBZG	GXN40CBZG	GXN50CBZG
适用蒸发温度(°C) Applicable Temperature(°C)		+5~-20°C					
制冷剂 Refrigerant		R404A					
电源 Power supply		380V50Hz					
冷凝器 Condenser	形式 Form	壳管式冷凝器 Scroll and tube Condenser					
	额定水流量(m³/h) Rated Water Flow	12	14	17	22	25	30
压缩机组制冷量 Refrigerating capacity of compressor units	接管规格 Connection Size	2"	2"	2"	2-1/2"	2-1/2"	2-1/2"
	蒸发温度 Evaporating Temperature +5°C	制冷量(W) Cooling capacity 46000	57800	69000	88000	94200	121000
		电功率(W) Power 14400	18750	22000	28000	40900	40000
	蒸发温度 Evaporating Temperature 0°C	制冷量(W) Cooling capacity 31600	40250	48450	61700	71000	83800
		电功率(W) Power 13000	16900	19900	25300	30200	35800
	蒸发温度 Evaporating Temperature -15°C	制冷量(W) Cooling capacity 20700	26500	32400	40800	47800	55600
		电功率(W) Power 11400	14350	16850	21300	25100	29800
接口 Coupling	出液管接口 Tube coupling	3/4"	3/4"	7/8"	7/8"	1-1/8"	1-1/8"
	吸气管接口 Suction coupling	1-5/8"	2-1/8"	2-1/8"	2-1/8"	2-1/8"	2-5/8"
外形尺寸 Overall dimensions	长(L) mm Length	1162	1360	1360	1360	1440	1646
	宽(B) mm Width	500	500	500	500	500	500
	高(H) mm Height	781	781	781	828	883	883
安装尺寸 Mounting dimensions	长(D) mm Length	600	800	800	800	800	1000
	宽(E) mm Width	400	400	400	400	400	400

机组标准配置: 压缩机、壳管式冷凝器、压控、压力表、过滤器、电磁阀、接线盒等。
Standard configuration of units: compressor, scroll and tube condenser, pressure controller, pressure gauge, filter, solenoid valve and wiring box, etc.

说明Note:

- 表中制冷量为冷凝温度40°C。
- 可根据要求增加配置。
- 当压缩机采用R404A制冷剂, 使用低于-20°C蒸发温度的范围, 必须加装缸头风扇!
- Cooling capacity in the form is calculated when the condensing temperature is 40°C.
- Configuration can be added according to customers' requirements.
- When the compressor uses refrigerant R404a, and evaporating temperature lower than -20°C cylinder head fan must be installed.



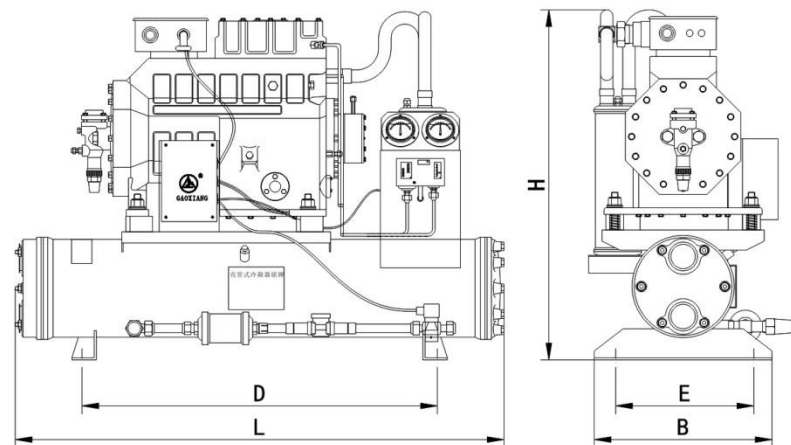
中低温水冷冷凝机组

Medium and Low Temperature Water-cooled Condensing Unit
半封闭系列 Semi-hermetic Series

机组型号 Model of units		GXN2CBZD	GXN3CBZD	GXN4CBZD	GXN5.5CBZD	GXN10CBZD
适用蒸发温度(°C) Applicable Temperature(°C)		-5~-40°C				
制冷剂 Refrigerant		R22				
电源 Power supply		380V50Hz				
冷凝器 Condenser	形式 Form	壳管式冷凝器 Scroll and tube Condenser				
	额定水流量(m³/h) Rated Water Flow	1	1.1	2	2	3
压缩机组制冷量 Refrigerating capacity of compressor units	接管规格 Connection Size	1"	1"	1-1/4"	1-1/4"	1-1/4"
	蒸发温度 Evaporating Temperature -15°C	5140	6380	7740	11500	16050
	电功率(W) Power	2460	2770	3350	5070	6870
	蒸发温度 Evaporating Temperature -25°C	3310	4070	5070	7270	10250
	电功率(W) Power	1960	2190	2690	4340	6120
	蒸发温度 Evaporating Temperature -35°C	1890	2320	3000	3947	4440
接口 Coupling	出液管接口 Tube coupling	3/8"	3/8"	3/8"	1/2"	5/8"
	吸气管接口 Suction coupling	7/8"	7/8"	1-1/8"	1-1/8"	1-3/8"
外形尺寸 Overall dimensions	长(L) mm Length	946	946	972	972	1162
	宽(B) mm Width	300	300	350	350	450
	高(H) mm Height	578	578	779	779	779
安装尺寸 Mounting dimensions	长(D) mm Length	500	500	500	500	600
	宽(E) mm Width	250	250	300	380	380
机组标准配置: 压缩机、壳管式冷凝器、压控、压力表、过滤器、电磁阀、接线盒等。 Standard configuration of units: compressor, scroll and tube condenser, pressure controller, pressure gauge, filter, solenoid valve and wiring box, etc.						

说明Note:

- 表中制冷量为冷凝温度40°C。
- 可根据要求增加配置。
- 当压缩机采用R22制冷剂, 使用低于-15°C蒸发温度的范围, 必须加装缸头风扇! 当蒸发温度低于-25°C时, 同时还须加装压缩机喷液系统。
- Cooling capacity in the form is calculated when the condensing temperature is 40°C.
- Configuration can be added according to customers' requirements.
- When the compressor uses refrigerant R22, the use of lower than -15°C evaporating temperature range, you must install the cylinder head and the fan! When the evaporating temperature is below -25°C at the same time, compressor hydrojet system also must be installed.



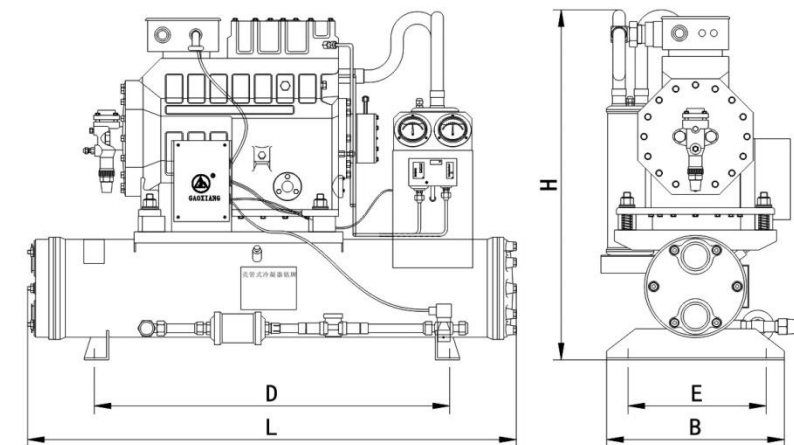
中低温水冷冷凝机组

Medium and Low Temperature Water-cooled Condensing Unit
半封闭系列 Semi-hermetic Series

机组型号 Model of units		GXN2CBZD	GXN3CBZD	GXN4CBZD	GXN5.5CBZD	GXN10CBZD
适用蒸发温度(°C) Applicable Temperature(°C)		-5~-40°C				
制冷剂 Refrigerant		R404A				
电源 Power supply		380V50Hz				
冷凝器 Condenser	形式 Form	壳管式冷凝器 Scroll and tube Condenser				
	额定水流量(m³/h) Rated Water Flow	1	1.1	2	2	3
压缩机组制冷量 Refrigerating capacity of compressor units	接管规格 Connection Size	1"	1"	1-1/4"	1-1/4"	1-1/4"
	蒸发温度 Evaporating Temperature -15°C	6480	7730	11200	18200	
	电功率(W) Power	3080	3670	5750	7690	
	蒸发温度 Evaporating Temperature -25°C	3300	4380	5250	7660	12100
	电功率(W) Power	1940	2460	2930	4510	6090
	蒸发温度 Evaporating Temperature -35°C	2000	2680	3240	4720	7145
接口 Coupling	出液管接口 Tube coupling	3/8"	3/8"	3/8"	1/2"	5/8"
	吸气管接口 Suction coupling	7/8"	7/8"	1-1/8"	1-1/8"	1-3/8"
外形尺寸 Overall dimensions	长(L) mm Length	946	946	972	972	1162
	宽(B) mm Width	300	300	350	450	450
	高(H) mm Height	578	748	779	779	779
安装尺寸 Mounting dimensions	长(D) mm Length	500	500	500	500	600
	宽(E) mm Width	250	250	300	380	380
机组标准配置: 压缩机、壳管式冷凝器、压控、压力表、过滤器、电磁阀、接线盒等。 Standard configuration of units: compressor, scroll and tube condenser, pressure controller, pressure gauge, filter, solenoid valve and wiring box, etc.						

说明Note:

- 表中制冷量为冷凝温度40°C。
- 可根据要求增加配置。
- 当压缩机采用R404A制冷剂, 使用低于-20°C蒸发温度的范围, 必须加装缸头风扇!
- Cooling capacity in the form is calculated when the condensing temperature is 40°C.
- Configuration can be added according to customers' requirements.
- When the compressor uses refrigerant R404A, and evaporating temperature lower than -20°C cylinder head fan must be installed.



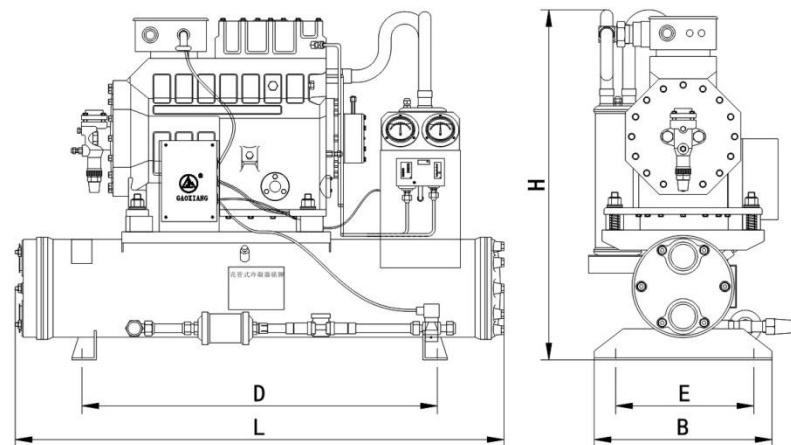
中低温水冷冷凝机组

Medium and Low Temperature Water-cooled Condensing Unit
半封闭系列 Semi-hermetic Series

机组型号 Model of units		GXN15CBZD	GXN15CBZD	GXN20CBZD	GXN25CBZD	GXN32CBZD	GXN40CBZD
适用蒸发温度(°C) Applicable Temperature(°C)		-5~-40°C					
制冷剂 Refrigerant		R22					
电源 Power supply		380V50Hz					
冷凝器 Condenser	形式 Form	壳管式冷凝器 Scroll and tube Condenser					
	额定水流量(m³/h) Rated Water Flow	4	6	7	9	10	13
压缩机组制冷量 Refrigerating capacity of compressor units	接管规格 Connection Size	2"	2"	2"	2"	2"	2-1/2"
	蒸发温度 Evaporating Temperature -15°C	21600	28200	32200	42800	48400	53295
	制冷量(W) Cooling capacity	9500	13000	15000	19750	23100	27800
	电功率(W) Power	14200	18600	21300	28100	31800	32555
	蒸发温度 Evaporating Temperature -25°C	8586	10450	11900	15850	18100	22400
	制冷量(W) Cooling capacity	6417	11200	12700	16500	19100	21200
接口 Coupling	出液管接口 Tube coupling	5/8"	5/8"	3/4"	3/4"	7/8"	7/8"
	吸气管接口 Suction coupling	1-3/8"	1-5/8"	2-1/8"	2-1/8"	2-1/8"	2-5/8"
外形尺寸 Overall dimensions	长(L) mm Length	1162	1162	1162	1360	1360	1440
	宽(B) mm Width	500	500	500	500	500	500
	高(H) mm Height	766	776	781	781	883	883
安装尺寸 Mounting dimensions	长(D) mm Length	600	600	600	800	800	800
	宽(E) mm Width	400	400	400	400	400	400
机组标准配置: 压缩机、壳管式冷凝器、压控、压力表、过滤器、电磁阀、接线盒等。 Standard configuration of units: compressor, scroll and tube condenser, pressure controller, pressure gauge, filter, solenoid valve and wiring box, etc.							

说明Note:

- 表中制冷量为冷凝温度40°C。
- 可根据要求增加配置。
- 当压缩机采用R22制冷剂, 使用低于-15°C蒸发温度的范围, 必须加装缸头风扇! 当蒸发温度低于-25°C时, 同时还须加装压缩机喷液系统。
- Cooling capacity in the form is calculated when the condensing temperature is 40°C.
- Configuration can be added according to customers' requirements.
- When the compressor uses refrigerant R22, the use of lower than -15°C evaporating temperature range, you must install the cylinder head and the fan! When the evaporating temperature is below -25°C at the same time, compressor hydrojet system also must be installed.



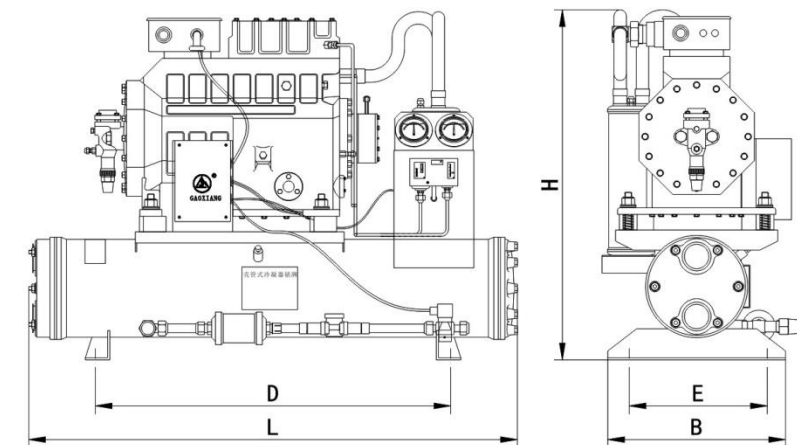
中低温水冷冷凝机组

Medium and Low Temperature Water-cooled Condensing Unit
半封闭系列 Semi-hermetic Series

机组型号 Model of units		GXN15CBZD	GXN15CBZD	GXN20CBZD	GXN25CBZD	GXN32CBZD	GXN40CBZD
适用蒸发温度(°C) Applicable Temperature(°C)		-5~-40°C					
制冷剂 Refrigerant		R404A					
电源 Power supply		380V50Hz					
冷凝器 Condenser	形式 Form	壳管式冷凝器 Scroll and tube Condenser					
	额定水流量(m³/h) Rated Water Flow	5.2	7.7	9	9	10	13
压缩机组制冷量 Refrigerating capacity of compressor units	接管规格 Connection Size	2"	2"	2"	2"	2"	2-1/2"
	蒸发温度 Evaporating Temperature -15°C	23600	30100	34400	42800	48400	53295
	制冷量(W) Cooling capacity	10800	14800	17600	19750	23100	27800
	电功率(W) Power	16100	21100	24500	28100	31800	32555
	蒸发温度 Evaporating Temperature -25°C	8730	11750	13850	15850	18100	22400
	制冷量(W) Cooling capacity	9538	13400	15900	16500	19100	21200
接口 Coupling	出液管接口 Tube coupling	5/8"	3/4"	3/4"	3/4"	7/8"	7/8"
	吸气管接口 Suction coupling	1-3/8"	1-5/8"	2-1/8"	2-1/8"	2-1/8"	2-5/8"
外形尺寸 Overall dimensions	长(L) mm Length	1162	1162	1162	1360	1360	1440
	宽(B) mm Width	500	500	500	500	500	500
	高(H) mm Height	766	776	781	781	883	883
安装尺寸 Mounting dimensions	长(D) mm Length	600	600	600	800	800	800
	宽(E) mm Width	400	400	400	400	400	400
机组标准配置: 压缩机、壳管式冷凝器、压控、压力表、过滤器、电磁阀、接线盒等。 Standard configuration of units: compressor, scroll and tube condenser, pressure controller, pressure gauge, filter, solenoid valve and wiring box, etc.							

说明Note:

- 表中制冷量为冷凝温度40°C。
- 可根据要求增加配置。
- 当压缩机采用R404A制冷剂, 使用低于-20°C蒸发温度的范围, 必须加装缸头风扇!
- Cooling capacity in the form is calculated when the condensing temperature is 40°C.
- Configuration can be added according to customers' requirements.
- When the compressor uses refrigerant R404A, and evaporating temperature lower than -20°C cylinder head fan must be installed.



中低温水冷冷凝机组

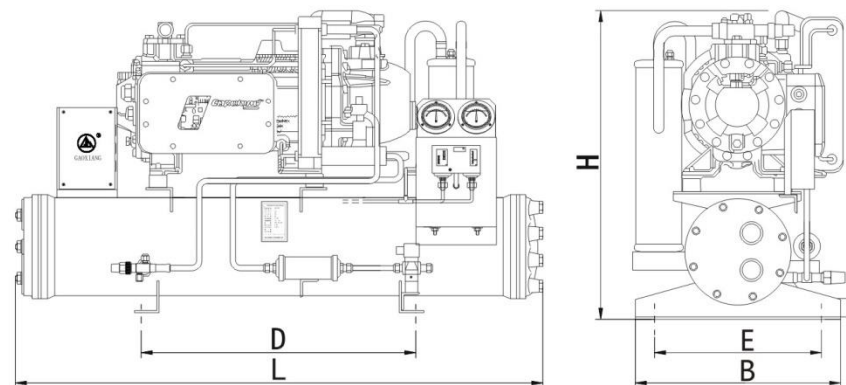
 Medium and Low Temperature Water-cooled Condensing Unit
 半封闭系列 Semi-hermetic Series

机组型号 Model of units		GXN5CBZD	GXN8CBZD	GXN10CBZD	GXN12CBZD	GXN13CBZD	GXN15CBZD	
适用蒸发温度(°C) Applicable Temperature(°C)		+10~-40°C						
制冷剂 Refrigerant		R22						
电源 Power supply		380V50Hz						
冷凝器 Condenser	形式 Form	壳管式冷凝器 Shell and tube Condenser						
	额定水流量(m³/h) Rated Water Flow	5	5	6.6	6.6	7	7.5	
	接管规格 Connection Size	1-1/4"	1-1/4"	1-1/2"	1-1/2"	2"	2"	
压缩机组制冷量 Refrigerating capacity of compressor units	蒸发温度 Evaporating Temperature -10°C	制冷量(W) Cooling capacity	11745	13950	14760	15840	18090	
		电功率(W) Power	4700	5200	5600	6500	7700	
	蒸发温度 Evaporating Temperature -30°C	制冷量(W) Cooling capacity	5670	6030	6660	7380	9000	10170
		电功率(W) Power	4100	4300	4700	5400	6300	7200
接口 Coupling	出液管接口 Tube coupling	1/2"	1/2"	5/8"	5/8"	5/8"	5/8"	
	吸气管接口 Suction coupling	1-1/8"	1-1/8"	1-1/8"	1-1/8"	1-1/8"	1-1/8"	
外形尺寸 Overall dimensions	长(L) mm Length	972	972	1162	1162	1162	1162	
	宽(B) mm Width	350	450	450	450	450	450	
	高(H) mm Height	760	760	800	800	850	850	
安装尺寸 Mounting dimensions	长(D) mm Length	500	500	600	600	600	600	
	宽(E) mm Width	300	380	380	380	380	380	

机组标准配置: 压缩机、冷凝器、储液器、压控、压力表、过滤器、电磁阀、接线盒等。
 Standard configuration of units: compressor, condenser, liquid receiver, pressure controller, pressure gauge, filter, solenoid valve and wiring box, etc.

说明Note:

- 表中制冷量为冷凝温度40°C。
- Cooling capacity in the form is calculated when the condensing temperature is 40°C.
- 可根据要求增加配置。
- Configuration can be added according to customers' requirements.


中低温水冷冷凝机组

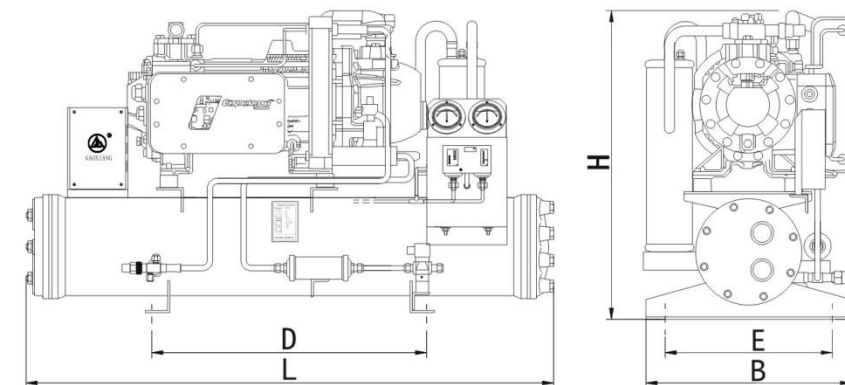
 Medium and Low Temperature Water-cooled Condensing Unit
 半封闭系列 Semi-hermetic Series

机组型号 Model of units		GXN5CBZD	GXN8CBZD	GXN10CBZD	GXN12CBZD	GXN13CBZD	GXN15CBZD	
适用蒸发温度(°C) Applicable Temperature(°C)		+10~-40°C						
制冷剂 Refrigerant		R404A						
电源 Power supply		380V50Hz						
冷凝器 Condenser	形式 Form	壳管式冷凝器 Shell and tube Condenser						
	额定水流量(m³/h) Rated Water Flow	5	5	6.6	6.6	7	7.5	
	接管规格 Connection Size	1-1/4"	1-1/4"	1-1/2"	1-1/2"	2"	2"	
压缩机组制冷量 Refrigerating capacity of compressor units	蒸发温度 Evaporating Temperature -10°C	制冷量(W) Cooling capacity	12600	14040	15030	19530	19080	
		电功率(W) Power	5380	5800	6250	7300	8200	
	蒸发温度 Evaporating Temperature -30°C	制冷量(W) Cooling capacity	6300	7254	2625	9145	8910	10620
		电功率(W) Power	4600	5160	5400	6080	6800	7900
接口 Coupling	出液管接口 Tube coupling	1/2"	1/2"	5/8"	5/8"	5/8"	5/8"	
	吸气管接口 Suction coupling	1-1/8"	1-1/8"	1-1/8"	1-1/8"	1-1/8"	1-1/8"	
外形尺寸 Overall dimensions	长(L) mm Length	972	972	1162	1162	1162	1162	
	宽(B) mm Width	350	450	450	450	450	450	
	高(H) mm Height	760	760	800	800	850	850	
安装尺寸 Mounting dimensions	长(D) mm Length	500	500	600	600	600	600	
	宽(E) mm Width	300	380	380	380	380	380	

机组标准配置: 压缩机、冷凝器、储液器、压控、压力表、过滤器、电磁阀、接线盒等。
 Standard configuration of units: compressor, condenser, liquid receiver, pressure controller, pressure gauge, filter, solenoid valve and wiring box, etc.

说明Note:

- 表中制冷量为冷凝温度40°C。
- Cooling capacity in the form is calculated when the condensing temperature is 40°C.
- 可根据要求增加配置。
- Configuration can be added according to customers' requirements.



产品特点

Products features

- 选用国际品牌制冷压缩机为主机，质量好，可靠性高。
- 采用多台压缩机并联，公用排气总管、吸气总管、冷凝器、储液器等形成一个制冷循环系统，机组冷量大，便于集中控制。
- 产品结构紧凑，集中安置，占地空间小。
- 可根据冷负荷的变化实现多级能量调节，从而有效减低设备运行费用，可最大限度地减小机器故障对运行的影响，增加机组运行可靠性。
- Use the international brand refrigerating compressor, good quality and high reliability.
- Multiple compressors are connected in parallel, public exhaust trunk, suction trunk, condenser and liquid receiver form a refrigerating cycle system, the unit has large refrigerating capacity, and facilitate centralized control.
- With compact structure, this product can be installed in a centralized way, so as to occupy less space.
- According to changes of cooling load, multi-level energy regulation is available, as a result, operation costs of the equipment are reduced substantially, the effect of machine fault on the operation is minimized as much as possible, and operational reliability of the unit is enhanced.



型号说明 Model description:

G X B 100 C B F G N S

- 表示双极 Symbolized two-stage
- 表示压缩机的数量 Symbolized the quantity of compressors
- 工作温度 G 高 Z 中 D 低 Working temperature G—high Z—medium D—low
- 冷却方式 F 表示风冷 水冷不表示 Cooling mode F—air-cooled Water-cooled is not shown
- 压缩机头 B 表示半封闭 Q 表示全封闭 Compressor B—semi-hermetic Q—hermetic
- C 表示谷轮 B 表示比泽尔 Y 表示英华特 H 表示汉钟
- 名义马力 Nominal power
- 并联机组 Parallel Compressor Units
- 高翔牌 GAOXIANG brand

(1) 高翔牌半封闭风冷式中高温二并联机组

GAOXIANG semi-hermetic air-cooled medium and high temperature parallel units

机组型号 Model of units		GXB20CBFZG2	GXB30CBFZG2	GXB40CBFZG2	GXB50CBFZG2	GXB60CBFZG2	GXB70CBFZG2	GXB80CBFZG2	GXB100CBFZG2	
适用蒸发温度(°C) Applicable Temperature(°C)		+10--15°C								
制冷剂 Refrigerant		R22								
电源 Power supply		380V50Hz								
冷却容量及功率 Cooling capacity & Power	蒸发温度 Evaporating Temperature 0°C	制冷量(W)Cooling capacity	50000	70200	80200	104400	124000	158600	182400	215600
		电功率(kW)Power	14.80	23.12	26.40	33.60	39.12	50.40	59.20	75.00
	蒸发温度 Evaporating Temperature -5°C	制冷量(W)Cooling capacity	41000	58200	68000	87000	101600	128400	149200	177400
		电功率(kW)Power	14.00	20.40	24.60	31.26	35.88	47.40	55.60	67.60
	蒸发温度 Evaporating Temperature -10°C	制冷量(W)Cooling capacity	32440	47600	55000	68200	82000	104600	121000	140800
		电功率(kW)Power	12.80	18.72	22.60	29.60	33.84	44.00	51.60	61.00
接口 Coupling	出液管接口 Tube coupling	42	54	54	67	79	79	79	79	
	吸气管接口 Suction coupling	22	22	28	28	28	35	35	35	
外形尺寸 Overall dimensions	长(L) mm Length	2600								
	宽(B) mm Width	1200								
	高(H) mm Height	2000								

(1) 高翔牌半封闭风冷式中高温二并联机组

GAOXIANG semi-hermetic air-cooled medium and high temperature parallel units

机组型号 Model of units		GXB20CBFZG2	GXB30CBFZG2	GXB40CBFZG2	GXB50CBFZG2	GXB60CBFZG2	GXB70CBFZG2	GXB80CBFZG2	GXB100CBFZG2	
适用蒸发温度(°C) Applicable Temperature(°C)		+10--15°C								
制冷剂 Refrigerant		R404A								
电源 Power supply		380V50Hz								
冷却容量及功率 Cooling capacity & Power	蒸发温度 Evaporating Temperature 0°C	制冷量(W)Cooling capacity	53000	57800	70000	101400	115800	137600	148000	183160
		电功率(kW)Power	22.6	29.4	33.4	42	50	64.4	77.4	81.2
	蒸发温度 Evaporating Temperature -5°C	制冷量(W)Cooling capacity	45000	53800	59800	85600	99000	118000	128600	150880
		电功率(kW)Power	20.8	29.7	30.3	38.7	45.8	58.4	69.8	74.8
	蒸发温度 Evaporating Temperature -10°C	制冷量(W)Cooling capacity	37700	45600	50400	71200	83400	99800	110000	123260
		电功率(kW)Power	18.96	26.6	27.3	35.4	41.6	52.6	62.6	68.0
接口 Coupling	出液管接口 Tube coupling	42	54	54	67	79	79	79	79	
	吸气管接口 Suction coupling	22	22	28	28	28	35	35	35	
外形尺寸 Overall dimensions	长(L) mm Length	2600								
	宽(B) mm Width	1200								
	高(H) mm Height	2000								

说明：环境温度为32°C
 Remarks: Ambient temperature is 32°C

(2) 高翔牌半封闭风冷式中高温三并联机组

GAOXIANG semi-hermetic air-cooled medium and high temperature parallel units

机组型号 Model of units		GXB30CBFZG3 GXB45CBFZG3 GXB60CBFZG3 GXB75CBFZG3 GXB90CBFZG3 GXB105CBFZG3 GXB120CBFZG3 GXB150CBFZG3								
适用蒸发温度(°C) Applicable Temperature(°C)		+10~-15°C								
制冷剂 Refrigerant		R22								
电源 Power supply		380V50Hz								
冷却容量及功率 Cooling capacity & Power	蒸发温度 Evaporating Temperature 0°C	制冷量(W)Cooling capacity	75000	105300	120300	156600	186000	237900	273600	323400
		电功率(kW)Power	22.20	34.68	39.60	50.40	58.68	75.60	88.80	112.50
	蒸发温度 Evaporating Temperature -5°C	制冷量(W)Cooling capacity	61500	87300	102000	130500	152400	192600	223800	266100
		电功率(kW)Power	21.00	30.60	36.90	46.89	53.82	71.10	83.40	101.40
	蒸发温度 Evaporating Temperature -10°C	制冷量(W)Cooling capacity	48660	71400	82500	102300	123000	156900	181500	211200
		电功率(kW)Power	19.20	28.08	33.90	44.40	50.76	56.00	77.40	97.50
接口 Coupling	出液管接口 Tube coupling	54	67	79	79	79	108	108	108	
	吸气管接口 Suction coupling	22	28	28	35	35	35	42	42	
外形尺寸 Overall dimensions	长(L) mm Length	3250								
	宽(B) mm Width	1200								
	高(H) mm Height	2000								

(2) 高翔牌半封闭风冷式中高温三并联机组

GAOXIANG semi-hermetic air-cooled medium and high temperature parallel units

机组型号 Model of units		GXB30CBFZG3 GXB45CBFZG3 GXB60CBFZG3 GXB75CBFZG3 GXB90CBFZG3 GXB105CBFZG3 GXB120CBFZG3 GXB150CBFZG3								
适用蒸发温度(°C) Applicable Temperature(°C)		+10~-15°C								
制冷剂 Refrigerant		R404A								
电源 Power supply		380V50Hz								
冷却容量及功率 Cooling capacity & Power	蒸发温度 Evaporating Temperature 0°C	制冷量(W)Cooling capacity	79500	86700	105000	152100	173700	206400	222000	374740
		电功率(kW)Power	33.9	44.1	50.1	63	75	96.6	116.1	121.8
	蒸发温度 Evaporating Temperature -5°C	制冷量(W)Cooling capacity	67500	80700	89700	128400	148500	177000	192900	226320
		电功率(kW)Power	31.2	44.55	45.45	58.05	68.7	87.6	104.7	112.2
	蒸发温度 Evaporating Temperature -10°C	制冷量(W)Cooling capacity	56550	68400	75600	106800	125100	149700	165000	184890
		电功率(kW)Power	28.44	33.9	40.95	53.1	62.4	78.9	93.9	102
接口 Coupling	出液管接口 Tube coupling	54	67	79	79	79	108	108	108	
	吸气管接口 Suction coupling	22	28	28	35	35	35	42	42	
外形尺寸 Overall dimensions	长(L) mm Length	3250								
	宽(B) mm Width	1200								
	高(H) mm Height	2000								

说明：环境温度为32°C
Remarks: Ambient temperature is 32°C

(3) 高翔牌半封闭风冷式中低温二并联机组 (配置DTC喷液系统)

GAOXIANG semi-hermetic air-cooled medium and low temperature parallel units (with DTC hydrojet system)

机组型号 Model of units		GXB20CBFZD2 GXB30CBFZD2 GXB30CBFZD2 GXB40CBFZD2 GXB50CBFZD2 GXB64CBFZD2 GXB80CBFZD2							
适用蒸发温度(°C) Applicable Temperature(°C)		-5~-40°C							
制冷剂 Refrigerant		R22							
电源 Power supply		380V50Hz							
冷却容量及功率 Cooling capacity & Power	蒸发温度 Evaporating Temperature -20°C	制冷量(W)Cooling capacity	22420	29780	41140	48400	61200	72000	91000
		电功率(kW)Power	12.50	17.66	24.06	27.90	37.14	43.80	53.60
	蒸发温度 Evaporating Temperature -30°C	制冷量(W)Cooling capacity	11380	17140	23040	23040	35400	42400	51200
		电功率(kW)Power	9.04	13.40	18.60	21.92	28.14	32.04	39.96
	蒸发温度 Evaporating Temperature -40°C	制冷量(W)Cooling capacity	6160	7720	12520	12980	16300	19520	24180
		电功率(kW)Power	6.28	8.94	13.00	15.38	19.96	22.08	28.00
接口 Coupling	出液管接口 Tube coupling	42	54	54	67	79	79	79	
	吸气管接口 Suction coupling	22	22	22	22	28	28	28	
外形尺寸 Overall dimensions	长(L) mm Length	2600							
	宽(B) mm Width	1200							
	高(H) mm Height	2000							

(3) 高翔牌半封闭风冷式中低温二并联机组 (配置DTC喷液系统)

GAOXIANG semi-hermetic air-cooled medium and low temperature parallel units (with DTC hydrojet system)

机组型号 Model of units		GXB20CBFZD2 GXB30CBFZD2 GXB30CBFZD2 GXB40CBFZD2 GXB50CBFZD2 GXB64CBFZD2 GXB80CBFZD2							
适用蒸发温度(°C) Applicable Temperature(°C)		-5~-40°C							
制冷剂 Refrigerant		R404A							
电源 Power supply		380V50Hz							
冷却容量及功率 Cooling capacity & Power	蒸发温度 Evaporating Temperature -20°C	制冷量(W)Cooling capacity	25100	31200	46900	48400	66800	80000	96000
		电功率(kW)Power	15.42	20.9	27.6	34.6	44	48	56.4
	蒸发温度 Evaporating Temperature -30°C	制冷量(W)Cooling capacity	15220	19720	28860	31700	42600	49100	58200
		电功率(kW)Power	12.1	16.0	20.7	25.8	33.4	35.1	42
	蒸发温度 Evaporating Temperature -40°C	制冷量(W)Cooling capacity	7546	10720	14050	17960	23300	23960	27700
		电功率(kW)Power	7.7	11.96	14.30	18.4	24	23.5	28.6
接口 Coupling	出液管接口 Tube coupling	42	54	54	67	79	79	79	
	吸气管接口 Suction coupling	22	22	22	22	28	28	28	
外形尺寸 Overall dimensions	长(L) mm Length	2600							
	宽(B) mm Width	1200							
	高(H) mm Height	2000							

说明：环境温度为32°C
Remarks: Ambient temperature is 32°C

(4)高翔牌半封闭风冷式中低温三并联机组 (配置DTC喷液系统)

GAOXIANG semi-hermetic air-cooled medium and low temperature parallel units (with DTC hydrojet system)

机组型号 Model of units		GXB30CBFZD3	GXB45CBFZD3	GXB45CBFZD3	GXB60CBFZD3	GXB75CBFZD3	GXB96CBFZD3	GXB120CBFZD3	
适用蒸发温度(°C) Applicable Temperature(°C)		-5~-40°C							
制冷剂 Refrigerant		R22							
电源 Power supply		380V50Hz							
冷却容量及功率 Cooling capacity & Power	蒸发温度 Evaporating Temperature 0°C	制冷量(W)Cooling capacity	33630	44670	61710	72600	91800	108000	136500
		电功率(kW)Power	18.75	26.49	36.09	41.85	55.71	65.70	80.40
	蒸发温度 Evaporating Temperature -5°C	制冷量(W)Cooling capacity	17070	256560	34560	40680	53100	63600	76800
		电功率(kW)Power	14.10	20.10	27.90	32.88	42.21	48.06	59.94
	蒸发温度 Evaporating Temperature -10°C	制冷量(W)Cooling capacity	9240	11580	18780	19470	24450	29280	36270
		电功率(kW)Power	9.42	13.41	19.50	23.07	29.94	33.12	42.00
接口 Coupling	出液管接口 Tube coupling	54	54	67	79	79	79	108	
	吸气管接口 Suction coupling	22	22	28	28	28	35	35	
外形尺寸 Overall dimensions	长(L) mm Length	3250							
	宽(B) mm Width	1200							
	高(H) mm Height	2000							

(4)高翔牌半封闭风冷式中低温三并联机组 (配置DTC喷液系统)

GAOXIANG semi-hermetic air-cooled medium and low temperature parallel units (with DTC hydrojet system)

机组型号 Model of units		GXB30CBFZD3	GXB45CBFZD3	GXB45CBFZD3	GXB60CBFZD3	GXB75CBFZD3	GXB96CBFZD3	GXB120CBFZD3	
适用蒸发温度(°C) Applicable Temperature(°C)		-5~-40°C							
制冷剂 Refrigerant		R404A							
电源 Power supply		380V50Hz							
冷却容量及功率 Cooling capacity & Power	蒸发温度 Evaporating Temperature 0°C	制冷量(W)Cooling capacity	37650	46800	70350	72600	10200	120000	144000
		电功率(kW)Power	23.12	31.35	41.4	51.9	66	72	84.6
	蒸发温度 Evaporating Temperature -5°C	制冷量(W)Cooling capacity	22830	29580	43290	47550	63900	73650	87300
		电功率(kW)Power	18.15	24	31.05	38.7	50.1	52.65	63
	蒸发温度 Evaporating Temperature -10°C	制冷量(W)Cooling capacity	11310	16080	21075	26940	34950	35940	41550
		电功率(kW)Power	11.55	17.94	21.45	27.6	36	35.25	42.9
接口 Coupling	出液管接口 Tube coupling	54	54	67	79	79	79	108	
	吸气管接口 Suction coupling	22	22	28	28	28	35	35	
外形尺寸 Overall dimensions	长(L) mm Length	3250							
	宽(B) mm Width	1200							
	高(H) mm Height	2000							

说明: 环境温度为32°C
Remarks: Ambient temperature is 32°C

(1)高翔牌半封闭水冷式中高温二并联机组

GAOXIANG semi-hermetic water-cooled ,medium and high temperature parallel units

机组型号 Model of units		GXB20CBZG2	GXB30CBZG2	GXB40CBZG2	GXB50CBZG2	GXB60CBZG2	GXB70CBZG2	GXB80CBZG2	GXB100CBZG2	
适用蒸发温度(°C) Applicable Temperature(°C)		+10~-15°C								
制冷剂 Refrigerant		R22								
电源 Power supply		380V50Hz								
冷凝器 Condenser	形式 Form	高效壳管式 High efficient shell and tube Condenser								
	额定水流量(m³/h) Rated Water Flow	13.5	19.0	22.6	29.0	33.0	43.0	50.0	60.0	
	接管规格 Connection Size	2"	2"	2-1/2"	2-1/2"	2-1/2"	2-1/2"	3"	3"	
冷却容量及功率 Cooling capacity & Power	蒸发温度 Evaporating Temperature 0°C	制冷量(W)Cooling capacity	56000	75800	86400	111600	131000	160000	190400	232600
		电功率(kW)Power	16.74	23.12	24.52	31.70	38.00	47.20	57.20	66.60
	蒸发温度 Evaporating Temperature -5°C	制冷量(W)Cooling capacity	45800	62000	72000	94400	107600	131600	156200	191800
		电功率(kW)Power	16.42	22.70	24.08	30.34	35.34	44.60	52.80	62.20
	蒸发温度 Evaporating Temperature -10°C	制冷量(W)Cooling capacity	36220	50000	58000	72800	86000	108000	125600	151800
		电功率(kW)Power	14.98	20.64	22.62	28.36	32.98	44.56	48.40	59.60
接口 Coupling	出液管接口 Tube coupling	42	54	54	67	79	79	79	79	
	吸气管接口 Suction coupling	22	22	28	28	28	35	35	35	
外形尺寸 Overall dimensions	长(L) mm Length	2350								
	宽(B) mm Width	1300								
	高(H) mm Height	2000								

(1)高翔牌半封闭水冷式中高温二并联机组

GAOXIANG semi-hermetic water-cooled ,medium and high temperature parallel units

机组型号 Model of units		GXB20CBZG2	GXB30CBZG2	GXB40CBZG2	GXB50CBZG2	GXB60CBZG2	GXB70CBZG2	GXB80CBZG2	GXB100CBZG2	
适用蒸发温度(°C) Applicable Temperature(°C)		+10~-15°C								
制冷剂 Refrigerant		R404A								
电源 Power supply		380V50Hz								
冷凝器 Condenser	形式 Form	高效壳管式 High efficient shell and tube Condenser								
	额定水流量(m³/h) Rated Water Flow	13.5	19.0	22.6	29.0	33.0	43.0	50.0	60.0	
	接管规格 Connection Size	2"	2"	2-1/2"	2-1/2"	2-1/2"	2-1/2"	3"	3"	
冷却容量及功率 Cooling capacity & Power	蒸发温度 Evaporating Temperature 0°C	制冷量(W)Cooling capacity	56000	74400	78800	113800	130000	155000	168400	201400
		电功率(kW)Power	16.74	27.0	27.0	35.8	42.2	54	64.8	76.4
	蒸发温度 Evaporating Temperature -5°C	制冷量(W)Cooling capacity	45800	64800	67600	96400	111400	133200	146400	166600
		电功率(kW)Power	16.42	25.4	26.1	33.8	39.8	50.6	60.4	71.6
	蒸发温度 Evaporating Temperature -10°C	制冷量(W)Cooling capacity	36220	55600	57200	80400	94200	113000	125600	136000
		电功率(kW)Power	14.98	23.6	24.2	31.4	36.9	46.8	55.6	65.8
接口 Coupling	出液管接口 Tube coupling	42	54	54	67	79	79	79	79	
	吸气管接口 Suction coupling	22	22	28	28	28	35	35	35	
外形尺寸 Overall dimensions	长(L) mm Length	2350								
	宽(B) mm Width	1300								
	高(H) mm Height	2000								

说明: 冷凝温度为40°C
Remarks: Condensing temperature is 40°C

(2)高翔牌半封闭水冷式中高温三并联机组

GAOXIANG semi-hermetic water-cooled medium and high temperature parallel units

机组型号 Model of units		GXB30CBZG3	GXB45CBZG3	GXB60CBZG3	GXB75CBZG3	GXB90CBZG3	GXB105CBZG3	GXB120CBZG3	GXB150CBZG3	
适用蒸发温度(°C) Applicable Temperature(°C)		+10~-15°C								
制冷剂 Refrigerant		R22								
电源 Power supply		380V50Hz								
冷凝器 Condenser	形式 Form	高效壳管式 High efficient shell and tube Condenser								
	额定水流量(m³/h) Rated Water Flow	20.0	29.0	34.0	43.0	50.0	65.0	75.5	90.0	
	接管规格 Connection Size	2-1/2"	2-1/2"	2-1/2"	2-1/2"	3"	4"	4"	4"	
冷却容量及功率 Cooling capacity & Power	蒸发温度 Evaporating Temperature 0°C	制冷量(W)Cooling capacity	84000	113700	129600	167400	196500	240000	285600	342900
		电功率(kW)Power	25.11	34.68	36.78	47.55	57.00	70.80	85.80	96.90
	蒸发温度 Evaporating Temperature -5°C	制冷量(W)Cooling capacity	68700	93000	108000	137100	161400	197400	234300	281700
		电功率(kW)Power	24.63	34.05	36.12	45.51	53.01	66.90	79.20	93.30
	蒸发温度 Evaporating Temperature -10°C	制冷量(W)Cooling capacity	54330	75000	87000	109200	129000	162000	188400	227700
		电功率(kW)Power	22.47	30.96	33.93	42.54	49.47	66.84	72.60	89.40
接口 Coupling	出液管接口 Tube coupling	54	67	79	79	79	108	108	108	
	吸气管接口 Suction coupling	22	28	28	35	35	35	42	42	
外形尺寸 Overall dimensions	长(L) mm Length	3000								
	宽(B) mm Width	1300								
	高(H) mm Height	2000								

(2)高翔牌半封闭水冷式中高温三并联机组

GAOXIANG semi-hermetic water-cooled medium and high temperature parallel units

机组型号 Model of units		GXB30CBZG3	GXB45CBZG3	GXB60CBZG3	GXB75CBZG3	GXB90CBZG3	GXB105CBZG3	GXB120CBZG3	GXB150CBZG3	
适用蒸发温度(°C) Applicable Temperature(°C)		+10~-15°C								
制冷剂 Refrigerant		R404A								
电源 Power supply		380V50Hz								
冷凝器 Condenser	形式 Form	高效壳管式 High efficient shell and tube Condenser								
	额定水流量(m³/h) Rated Water Flow	20.0	29.0	34.0	43.0	50.0	65.0	75.5	90.0	
	接管规格 Connection Size	2-1/2"	2-1/2"	2-1/2"	2-1/2"	3"	4"	4"	4"	
冷却容量及功率 Cooling capacity & Power	蒸发温度 Evaporating Temperature 0°C	制冷量(W)Cooling capacity	89400	109560	118200	170700	195200	232500	252600	302100
		电功率(kW)Power	28.77	35.64	41.4	53.7	63.3	81	97.2	114.6
	蒸发温度 Evaporating Temperature -5°C	制冷量(W)Cooling capacity	75900	90600	101400	144600	167100	199800	219600	249900
		电功率(kW)Power	27.18	38.7	39.15	50.7	59.7	75.9	90.6	107.4
	蒸发温度 Evaporating Temperature -10°C	制冷量(W)Cooling capacity	63900	51400	85800	120600	141300	169500	188400	204000
		电功率(kW)Power	25.26	35.55	36.3	47.1	55.35	70.2	83.4	98.7
接口 Coupling	出液管接口 Tube coupling	54	67	79	79	79	108	108	108	
	吸气管接口 Suction coupling	22	28	28	35	35	35	42	42	
外形尺寸 Overall dimensions	长(L) mm Length	3000								
	宽(B) mm Width	1300								
	高(H) mm Height	2000								

说明: 冷凝温度为40°C
Remarks: Condensing temperature is 40°C

(3)高翔牌半封闭水冷式中低温二并联机组 (配置DTC喷液系统)

GAOXIANG semi-hermetic water-cooled medium and low temperature parallel units(with DTC hydrojet system)

机组型号 Model of units		GXB20CBZD2	GXB30CBZD2	GXB30CBZD2	GXB40CBZD2	GXB50CBZD2	GXB64CBZD2	GXB80CBZD2	
适用蒸发温度(°C) Applicable Temperature(°C)		-5~-40°C							
制冷剂 Refrigerant		R22							
电源 Power supply		380V50Hz							
冷凝器 Condenser	形式 Form	高效壳管式 High efficient shell and tube Condenser							
	额定水流量(m³/h) Rated Water Flow	8.8	9.5	14.0	16.0	20.0	23.0	29.0	
	接管规格 Connection Size	2"	2"	2"	2-1/2"	2-1/2"	2-1/2"	3"	
冷却容量及功率 Cooling capacity & Power	蒸发温度 Evaporating Temperature 0°C	制冷量(W)Cooling capacity	24000	32600	45400	52800	66200	77200	99000
		电功率(kW)Power	12.44	17.00	23.40	26.80	36.00	41.22	50.60
	蒸发温度 Evaporating Temperature -5°C	制冷量(W)Cooling capacity	13600	18680	26460	30520	38000	44200	57800
		电功率(kW)Power	9.40	13.00	18.24	21.30	27.42	31.40	39.22
	蒸发温度 Evaporating Temperature -10°C	制冷量(W)Cooling capacity	6660	8880	13460	15560	18720	22960	29540
		电功率(kW)Power	6.24	9.10	13.00	14.88	19.72	22.40	28.32
接口 Coupling	出液管接口 Tube coupling	42	54	54	67	79	79	79	
	吸气管接口 Suction coupling	22	22	22	22	28	28	28	
外形尺寸 Overall dimensions	长(L) mm Length	3000							
	宽(B) mm Width	1300							
	高(H) mm Height	2000							

(3)高翔牌半封闭水冷式中低温二并联机组 (配置DTC喷液系统)

GAOXIANG semi-hermetic water-cooled medium and low temperature parallel units(with DTC hydrojet system)

机组型号 Model of units		GXB20CBZD2	GXB30CBZD2	GXB30CBZD2	GXB40CBZD2	GXB50CBZD2	GXB64CBZD2	GXB80CBZD2	
适用蒸发温度(°C) Applicable Temperature(°C)		-5~-40°C							
制冷剂 Refrigerant		R404A							
电源 Power supply		380V50Hz							
冷凝器 Condenser	形式 Form	高效壳管式 High efficient shell and tube Condenser							
	额定水流量(m³/h) Rated Water Flow	8.8	9.5	14.0	16.0	20.0	23.0	29.0	
	接管规格 Connection Size	2"	2"	2"	2-1/2"	2-1/2"	2-1/2"	3"	
冷却容量及功率 Cooling capacity & Power	蒸发温度 Evaporating Temperature 0°C	制冷量(W)Cooling capacity	28600	35700	52000	55400	76400	89000	106000
		电功率(kW)Power	13.42	19.04	26.8	31.5	40	56.4	54.8
	蒸发温度 Evaporating Temperature -5°C	制冷量(W)Cooling capacity	17700	22800	32200	36800	49400	55000	65000
		电功率(kW)Power	10.56	14.44	20.4	24	31	35.4	41.6
	蒸发温度 Evaporating Temperature -10°C	制冷量(W)Cooling capacity	8810	12960	16200	21400	28100	27700	32000
		电功率(kW)Power	7.95	10.44	14.4	16.78	20.8	23.8	29
接口 Coupling	出液管接口 Tube coupling	42	54	54	67	79	79	79	
	吸气管接口 Suction coupling	22	22	22	22	28	28	28	
外形尺寸 Overall dimensions	长(L) mm Length	3000							
	宽(B) mm Width	1300							
	高(H) mm Height	2000							

说明: 冷凝温度为40°C
Remarks: Condensing temperature is 40°C

(4)高翔牌半封闭水冷式中低温三并联机组 (配置DTC喷液系统)

Gaoxiang semi-hermetic water-cooled medium and low temperature parallel units(with DTC hydrojet system)

机组型号 Model of units		GXB30CBZD3 GXB45CBZD3 GXB45CBZD3 GXB60CBZD3 GXB75CBZD3 GXB96CBZD3 GXB120CBZD3							
适用蒸发温度(°C) Applicable Temperature(°C)		-5--40°C							
制冷剂 Refrigerant		R22							
电源 Power supply		380V50Hz							
冷凝器 Condenser	形式 Form	高效壳管式 High efficient shell and tube Condenser							
	额定水流量(m³/h) Rated Water Flow	12.0	15.0	20.0	23.0	31.0	35.0	44.0	
接管规格 Connection Size		2"	2"	2-1/2"	2-1/2"	3"	3"	3"	
冷却容量及功率 Cooling capacity & Power	蒸发温度 Evaporating Temperature -20°C	制冷量(W)Cooling capacity	36000	48900	68100	79200	99300	115800	148500
		电功率(kW)Power	18.66	25.50	35.10	40.20	54.00	61.83	75.90
	蒸发温度 Evaporating Temperature -30°C	制冷量(W)Cooling capacity	20400	28020	39690	45780	57000	66300	86700
		电功率(kW)Power	14.10	19.50	27.36	31.95	41.13	47.10	58.83
	蒸发温度 Evaporating Temperature -40°C	制冷量(W)Cooling capacity	9990	13320	20190	23340	28080	34440	44310
		电功率(kW)Power	9.36	13.65	19.50	22.32	29.58	33.60	42.48
接口 Coupling	出液管接口 Tube coupling	54	54	67	79	79	79	108	
	吸气管接口 Suction coupling	22	22	28	28	28	35	35	
外形尺寸 Overall dimensions	长(L) mm Length	3000							
	宽(B) mm Width	1300							
	高(H) mm Height	2000							

(4)高翔牌半封闭水冷式中低温三并联机组 (配置DTC喷液系统)

Gaoxiang semi-hermetic water-cooled medium and low temperature parallel units(with DTC hydrojet system)

机组型号 Model of units		GXB30CBZD3 GXB45CBZD3 GXB45CBZD3 GXB60CBZD3 GXB75CBZD3 GXB96CBZD3 GXB120CBZD3							
适用蒸发温度(°C) Applicable Temperature(°C)		-5--40°C							
制冷剂 Refrigerant		R404A							
电源 Power supply		380V50Hz							
冷凝器 Condenser	形式 Form	高效壳管式 High efficient shell and tube Condenser							
	额定水流量(m³/h) Rated Water Flow	12.0	15.0	20.0	23.0	31.0	35.0	44.0	
接管规格 Connection Size		2"	2"	2-1/2"	2-1/2"	3"	3"	3"	
冷却容量及功率 Cooling capacity & Power	蒸发温度 Evaporating Temperature -20°C	制冷量(W)Cooling capacity	42900	53550	78000	83100	114600	133500	159000
		电功率(kW)Power	20.13	28.56	40.2	47.25	60	84.6	82.2
	蒸发温度 Evaporating Temperature -30°C	制冷量(W)Cooling capacity	26550	34200	48300	55200	74100	82500	97500
		电功率(kW)Power	15.84	21.66	30.6	36	46.5	53.1	62.4
	蒸发温度 Evaporating Temperature -40°C	制冷量(W)Cooling capacity	13215	19440	24300	32100	42150	41550	48000
		电功率(kW)Power	11.93	15.56	21.6	25.17	31.2	35.7	43.5
接口 Coupling	出液管接口 Tube coupling	54	54	67	79	79	79	108	
	吸气管接口 Suction coupling	22	22	28	28	28	35	35	
外形尺寸 Overall dimensions	长(L) mm Length	3000							
	宽(B) mm Width	1300							
	高(H) mm Height	2000							

说明: 冷凝温度为40°C
Remarks: Condensing temperature is 40°C

产品特点

Products features

- 选用国际品牌制冷压缩机为主机, 质量好, 可靠性高。
- 采用多台压缩机并联, 公用排气总管、吸气总管、冷凝器、储液器等形成一个制冷循环系统, 机组冷量大, 便于集中控制。
- 产品结构紧凑, 集中安置, 占地空间小。
- 可根据冷负荷的变化实现多级能量调节, 从而有效减低设备运行费用, 可最大限度地减小机器故障对运行的影响, 增加机组运行可靠性。
- Use the international brand refrigerating compressor, good quality and high reliability.
- Multiple compressors are connected in parallel, public exhaust trunk, suction trunk, condenser and liquid receiver form a refrigerating cycle system, the unit has large refrigerating capacity, and facilitate centralized control.
- With compact structure, this product can be installed in a centralized way, so as to occupy less space.
- According to changes of cooling load, multi-level energy regulation is available. As a result, operation costs of the equipment are reduced substantially, the effect of machine fault on the operation is minimized as much as possible, and operational reliability of the unit is enhanced.



型号说明 Model description:

G X B 100 C B F G N S

- 表示双极 Symbolized two-stage
- 表示压缩机的数量 Symbolized the quantity of compressors
- 工作温度G高 Z中 D低 Working temperature G—high Z—medium D—low
- 冷却方式F表示风冷 水冷不表示 Cooling mode F—air-cooled Water-cooled is not shown
- 压缩机头 B表示半封闭螺杆 B—Semi-hermetic screw
- C表示谷轮 B表示比泽尔 Y表示英华特 H表示汉钟
- 名义马力 Nominal power
- B表示并联机组 B—Parallel Compressor Units
D表示单机 D—Single compressor
- 高翔牌 GAOXIANG brand

(1)高翔牌螺杆水冷单机中高温系列
Water-cooled Medium and High Temperature Series

机组型号 Model of units		GXD30HBZG	GXD40HBZG	GXD50HBZG	GXD60HBZG	GXD70HBZG	GXD80HBZG	GXD90HBZG	
适用蒸发温度(°C) Applicable Temperature(°C)		+10~-15°C							
制冷剂 Refrigerant		R22							
电源 Power supply		380V50Hz							
冷凝器 Condenser	形式 Form	高效壳管式 High efficient shell and tube Condenser							
	额定水流量(m³/h) Rated Water Flow	18	24	31	42	46	56	62	
	接管规格 Connection Size	2-1/2"	2-1/2"	2-1/2"	3"	4"	4"	4"	
冷却容量及功率 Cooling capacity & Power	蒸发温度 Evaporating Temperature 0°C	制冷量(kW)Cooling capacity	73.8	100.6	132.0	175.2	192.3	239.4	262.0
		电功率(kW)Power	22.9	30.2	37.8	50.5	55.1	65.1	71.8
	蒸发温度 Evaporating Temperature -5°C	制冷量(kW)Cooling capacity	61.0	83.3	109.2	145.0	159.1	198.1	216.7
		电功率(kW)Power	21.9	28.9	36.2	48.4	52.7	62.4	69.0
	蒸发温度 Evaporating Temperature -10°C	制冷量(kW)Cooling capacity	50.1	68.4	89.7	119.1	130.7	162.3	178.0
		电功率(kW)Power	21.0	27.7	34.7	46.3	50.4	59.7	66.8
接口 Coupling	出液管接口 Tube coupling	54	54	66	76	76	76	108	
	吸气管接口 Suction coupling	28	28	35	35	35	35	42	
外形尺寸 Overall dimensions	长(L) mm Length	1700	1700	2150	2300	2300	2600	2600	
	宽(B) mm Width	670	670	680	770	770	850	850	
	高(H) mm Height	1100	1100	1100	1250	1250	1300	1300	

(1)高翔牌螺杆水冷单机中高温系列
Water-cooled Medium and High Temperature Series

机组型号 Model of units		GXD100HBZG	GXD110HBZG	GXD125HBZG	GXD130HBZG	GXD140HBZG	GXD150HBZG	
适用蒸发温度(°C) Applicable Temperature(°C)		+10~-15°C						
制冷剂 Refrigerant		R22						
电源 Power supply		380V50Hz						
冷凝器 Condenser	形式 Form	高效壳管式 High efficient shell and tube Condenser						
	额定水流量(m³/h) Rated Water Flow	67	73	88	92	100	110	
	接管规格 Connection Size	5"	5"	5"	5"	6"	6"	
冷却容量及功率 Cooling capacity & Power	蒸发温度 Evaporating Temperature 0°C	制冷量(kW)Cooling capacity	283.6	312.2	371.5	392.2	429.5	465.1
		电功率(kW)Power	78.2	87.0	101.0	106.7	115.6	124.4
	蒸发温度 Evaporating Temperature -5°C	制冷量(kW)Cooling capacity	234.6	258.3	307.4	324.5	355.3	384.8
		电功率(kW)Power	74.9	83.3	96.8	102.2	110.7	119.2
	蒸发温度 Evaporating Temperature -10°C	制冷量(kW)Cooling capacity	192.7	212.1	252.5	266.6	291.9	316.4
		电功率(kW)Power	71.8	79.8	92.7	97.8	106	114.1
接口 Coupling	出液管接口 Tube coupling	108	108	108	108	108	108	
	吸气管接口 Suction coupling	42	42	42	42	42	42	
外形尺寸 Overall dimensions	长(L) mm Length	2600	2850	2850	3150	3150	3200	
	宽(B) mm Width	850	850	850	850	850	870	
	高(H) mm Height	1300	1300	1300	1350	1350	1450	

说明: 冷凝温度为40°C
Remarks: Condensing temperature is 40°C

(2)高翔牌螺杆水冷单机中低温系列
Water-cooled Medium and Low Temperature Series

机组型号 Model of units		GXD30HBZD	GXD40HBZD	GXD50HBZD	GXD60HBZD	GXD70HBZD	GXD80HBZD	GXD90HBZD	
适用蒸发温度(°C) Applicable Temperature(°C)		+10~-30°C							
制冷剂 Refrigerant		R22							
电源 Power supply		380V50Hz							
冷凝器 Condenser	形式 Form	高效壳管式 High efficient shell and tube Condenser							
	额定水流量(m³/h) Rated Water Flow	11	15	18	25	27	34	37	
	接管规格 Connection Size	2-1/2"	2-1/2"	2-1/2"	3"	4"	4"	4"	
冷却容量及功率 Cooling capacity & Power	蒸发温度 Evaporating Temperature -20°C	制冷量(kW)Cooling capacity	36.8	50.2	65.9	87.5	96.0	119.5	130.7
		电功率(kW)Power	21.5	28.3	35.5	47.3	51.6	61.1	67.2
	蒸发温度 Evaporating Temperature -25°C	制冷量(kW)Cooling capacity	30.1	41.1	53.8	71.5	78.5	97.7	106.8
		电功率(kW)Power	20.8	27.4	34.4	45.9	50.0	59.3	65.2
	蒸发温度 Evaporating Temperature -30°C	制冷量(kW)Cooling capacity	24.3	33.2	43.5	57.7	63.4	79.0	86.4
		电功率(kW)Power	20.1	26.4	33.2	44.3	48.2	57.1	62.9
接口 Coupling	出液管接口 Tube coupling	54	54	66	76	76	76	108	
	吸气管接口 Suction coupling	28	28	35	35	35	35	42	
外形尺寸 Overall dimensions	长(L) mm Length	1700	1700	2150	2300	2300	2600	2600	
	宽(B) mm Width	670	670	680	770	770	850	850	
	高(H) mm Height	1400	1400	1150	1300	1300	1350	1350	

(2)高翔牌螺杆水冷单机中低温系列
Water-cooled Medium and Low Temperature Series

机组型号 Model of units		GXD100HBZD	GXD110HBZD	GXD125HBZD	GXD130HBZD	GXD140HBZD	GXD150HBZD	
适用蒸发温度(°C) Applicable Temperature(°C)		+10~-30°C						
制冷剂 Refrigerant		R22						
电源 Power supply		380V50Hz						
冷凝器 Condenser	形式 Form	高效壳管式 High efficient shell and tube Condenser						
	额定水流量(m³/h) Rated Water Flow	40	44	52	55	60	65	
	接管规格 Connection Size	5"	5"	5"	5"	6"	6"	
冷却容量及功率 Cooling capacity & Power	蒸发温度 Evaporating Temperature -20°C	制冷量(kW)Cooling capacity	141.5	155.8	185.5	195.8	214.4	232.1
		电功率(kW)Power	73.4	81.6	94.7	100.0	108.4	116.7
	蒸发温度 Evaporating Temperature -25°C	制冷量(kW)Cooling capacity	115.7	127.3	151.6	180.0	175.2	289.7
		电功率(kW)Power	71.2	79.1	91.9	97.0	105.1	113.2
	蒸发温度 Evaporating Temperature -30°C	制冷量(kW)Cooling capacity	93.5	102.9	122.5	129.3	141.6	153.3
		电功率(kW)Power	68.6	76.3	88.6	93.5	101.4	109.1
接口 Coupling	出液管接口 Tube coupling	108	108	108	108	108	108	
	吸气管接口 Suction coupling	42	42	42	42	42	42	
外形尺寸 Overall dimensions	长(L) mm Length	2600	2850	2850	3150	3150	3150	
	宽(B) mm Width	850	850	850	850	850	870	
	高(H) mm Height	1300	1300	1300	1650	1650	1650	

说明: 冷凝温度为40°C,带经济器运行。
Remarks: Condensing temperature is 40°C, operating with economizer.

(3)高翔牌螺杆风冷单机中高温系列
Air-cooled Medium and High Temperature Series

机组型号 Model of units		GXD30HBFZGGXD40HBFZGGXD50HBFZGGXD60HBFZGGXD70HBFZGGXD80HBFZGGXD90HBFZGD							
适用蒸发温度(°C) Applicable Temperature(°C)		+10~-15°C							
制冷剂 Refrigerant		R22							
电源 Power supply		380V50Hz							
冷却容量及功率 Cooling capacity & Power	蒸发温度 Evaporating Temperature 0°C	制冷量(kW)Cooling capacity	67.1	91.4	119.9	159.1	174.6	217.4	237.9
		电功率(kW)Power	25.8	34.0	42.74	57.0	62.1	73.5	81.0
	蒸发温度 Evaporating Temperature -5°C	制冷量(kW)Cooling capacity	55.2	75.2	98.7	131.1	143.9	179.2	196.0
		电功率(kW)Power	24.8	32.6	40.9	54.6	59.5	70.4	77.6
	蒸发温度 Evaporating Temperature -10°C	制冷量(kW)Cooling capacity	45.2	61.6	80.8	107.2	117.7	146.5	160.4
		电功率(kW)Power	23.7	31.2	39.2	52.3	54.6	67.5	74.3
接口 Coupling	吸气管接口 Suction coupling	54	54	66	76	76	76	108	
	出液管接口 Tube coupling	28	28	35	35	35	35	42	
	排气接口 Discharge coupling	42	42	42	54	54	54	66	
	进液接口 Suction coupling	35	35	35	35	35	35	54	
外形尺寸 Overall dimensions	长(L) mm Length	1700	1700	2150	2300	2300	2600	2600	
	宽(B) mm Width	670	670	680	770	770	850	850	
	高(H) mm Height	1100	1100	1100	1250	1250	1300	1300	

(3)高翔牌螺杆风冷单机中高温系列
Air-cooled Medium and High Temperature Series

机组型号 Model of units		GXD100HBFZG GXD110HBFZG GXD125HBFZG GXD130HBFZG GXD140HBFZG GXD150HBFZGD						
适用蒸发温度(°C) Applicable Temperature(°C)		+10~-15°C						
制冷剂 Refrigerant		R22						
电源 Power supply		380V50Hz						
冷却容量及功率 Cooling capacity & Power	蒸发温度 Evaporating Temperature 0°C	制冷量(kW)Cooling capacity	257.5	283.5	337.3	356.2	390.1	422.4
		电功率(kW)Power	88.3	98.2	114.0	120.4	130.5	140.4
	蒸发温度 Evaporating Temperature -5°C	制冷量(kW)Cooling capacity	212.2	233.6	278.0	293.5	321.4	348.0
		电功率(kW)Power	84.6	94.1	109.3	115.4	125.0	134.5
	蒸发温度 Evaporating Temperature -10°C	制冷量(kW)Cooling capacity	173.5	191.1	227.3	240.1	262.9	284.7
		电功率(kW)Power	81.0	90.1	104.7	110.5	119.7	128.9
接口 Coupling	吸气管接口 Suction coupling	108	108	108	108	108	108	
	出液管接口 Tube coupling	42	42	42	42	42	42	
	排气接口 Discharge coupling	66	66	66	76	76	76	
	进液接口 Suction coupling	54	54	54	54	54	54	
外形尺寸 Overall dimensions	长(L) mm Length	2600	2850	2850	3150	3150	3200	
	宽(B) mm Width	850	850	850	850	850	870	
	高(H) mm Height	1300	1300	1300	1350	1350	1450	

说明: 环境温度为32°C
Remarks: Ambient temperature is 32°C

(4)高翔牌螺杆风冷单机中低温系列
Air-cooled Medium and Low Temperature Series

机组型号 Model of units		GXD30HBFZD GXD40HBFZD GXD50HBFZD GXD60HBFZD GXD70HBFZD GXD80HBFZD GXD90HBFZD							
适用蒸发温度(°C) Applicable Temperature(°C)		+10~-30°C							
制冷剂 Refrigerant		R22							
电源 Power supply		380V50Hz							
冷却容量及功率 Cooling capacity & Power	蒸发温度 Evaporating Temperature -20°C	制冷量(kW)Cooling capacity	34.3	46.8	61.4	81.4	89.4	111.3	121.7
		电功率(kW)Power	24.8	32.6	40.9	54.6	59.5	70.5	77.6
	蒸发温度 Evaporating Temperature -25°C	制冷量(kW)Cooling capacity	28.0	38.1	50.0	66.4	72.8	90.7	99.2
		电功率(kW)Power	24.0	31.6	39.6	52.9	57.6	68.2	75.1
	蒸发温度 Evaporating Temperature -30°C	制冷量(kW)Cooling capacity	22.5	30.8	40.3	53.6	58.7	73.1	80.0
		电功率(kW)Power	22.1	29.5	38.2	50.2	55.6	65.8	72.5
接口 Coupling	吸气管接口 Suction coupling	54	54	66	76	76	76	108	
	出液管接口 Tube coupling	28	28	35	35	35	35	42	
	排气接口 Discharge coupling	42	42	42	54	54	54	66	
	进液接口 Suction coupling	35	35	35	35	35	35	54	
外形尺寸 Overall dimensions	长(L) mm Length	1700	1700	2150	2300	2300	2600	2600	
	宽(B) mm Width	670	670	680	770	770	850	850	
	高(H) mm Height	1100	1100	1100	1250	1250	1300	1300	

(4)高翔牌螺杆风冷单机中低温系列
Air-cooled Medium and Low Temperature Series

机组型号 Model of units		GXD100HBFZD GXD110HBFZD GXD125HBFZD GXD130HBFZD GXD140HBFZD GXD150HBFZD						
适用蒸发温度(°C) Applicable Temperature(°C)		+10~-30°C						
制冷剂 Refrigerant		R22						
电源 Power supply		380V50Hz						
冷却容量及功率 Cooling capacity & Power	蒸发温度 Evaporating Temperature -20°C	制冷量(kW)Cooling capacity	131.8	145.1	172.6	182.3	199.6	216.2
		电功率(kW)Power	84.7	94.1	109.3	115.4	125.1	134.6
	蒸发温度 Evaporating Temperature -25°C	制冷量(kW)Cooling capacity	107.4	118.2	109.3	148.6	162.7	176.1
		电功率(kW)Power	81.9	91.1	105.8	111.7	121.1	130.3
	蒸发温度 Evaporating Temperature -30°C	制冷量(kW)Cooling capacity	86.6	95.4	113.5	119.9	131.2	142.0
		电功率(kW)Power	79.1	87.9	102.1	107.8	116.8	125.7
接口 Coupling	吸气管接口 Suction coupling	108	108	108	108	108	108	
	出液管接口 Tube coupling	42	42	42	42	42	42	
	排气接口 Discharge coupling	66	66	66	76	76	76	
	进液接口 Suction coupling	54	54	54	54	54	54	
外形尺寸 Overall dimensions	长(L) mm Length	2600	2850	2850	3150	3150	3200	
	宽(B) mm Width	850	850	850	850	850	870	
	高(H) mm Height	1300	1300	1300	1350	1350	1450	

说明: 环境温度为32°C,带经济器运行。
Remarks: Ambient temperature is 32°C, operating with economizer.

(5)高翔牌螺杆水冷并联中高温系列
Water-cooled Medium and High Temperature Series

机组型号 Model of units		GXB60HBZG2	GXB80HBZG2	GXB100HBZG2	GXB120HBZG2	GXB40HBZG2	
适用蒸发温度(°C) Applicable Temperature(°C)		+10~-15°C					
制冷剂 Refrigerant		R22					
电源 Power supply		380V50Hz					
冷凝器 Condenser	形式 Form	高效壳管式 High efficient shell and tube Condenser					
	额定水流量(m³/h) Rated Water Flow	36	48	63	70	93	
	接管规格 Connection Size	2-1/2"	4"	4"	5"	6"	
冷却容量及功率 Cooling capacity & Power	蒸发温度 Evaporating Temperature 0°C	制冷量(kW)Cooling capacity	147.6	201.2	264.0	350.4	384.6
		电功率(kW)Power	45.8	60.4	75.6	101.0	110.0
	蒸发温度 Evaporating Temperature -5°C	制冷量(kW)Cooling capacity	122.0	166.6	218.4	290	318.2
		电功率(kW)Power	43.8	59.4	72.4	96.8	105.4
	蒸发温度 Evaporating Temperature -10°C	制冷量(kW)Cooling capacity	100.2	136.8	179.4	238.2	216.4
		电功率(kW)Power	42.0	55.4	69.4	92.6	100.8
接口 Coupling	出液管接口 Tube coupling	66	76	108	108	108	
	吸气管接口 Suction coupling	35	35	42	42	54	
外形尺寸 Overall dimensions	长(L) mm Length	2300	2300	2650	3090	3200	
	宽(B) mm Width	1550	1550	1750	1850	1850	
	高(H) mm Height	1470	1470	1470	1860	1860	

(5)高翔牌螺杆水冷并联中高温系列
Water-cooled Medium and High Temperature Series

机组型号 Model of units		GXB160HBZG2	GXB180HBZG2	GXB200HBZG2	GXB220HBZG2	GXB250HBZG2	
适用蒸发温度(°C) Applicable Temperature(°C)		+10~-15°C					
制冷剂 Refrigerant		R22					
电源 Power supply		380V50Hz					
冷凝器 Condenser	形式 Form	高效壳管式 High efficient shell and tube Condenser					
	额定水流量(m³/h) Rated Water Flow	113	125	136	150	177	
	接管规格 Connection Size	6"	6"	6"	6"	6"	
冷却容量及功率 Cooling capacity & Power	蒸发温度 Evaporating Temperature 0°C	制冷量(kW)Cooling capacity	478.8	524.0	567.2	624.4	743.0
		电功率(kW)Power	130.2	143.4	156.4	174.0	202.0
	蒸发温度 Evaporating Temperature -5°C	制冷量(kW)Cooling capacity	396.2	433.4	516.6	516.6	614.8
		电功率(kW)Power	124.8	137.4	149.8	166.6	193.6
	蒸发温度 Evaporating Temperature -10°C	制冷量(kW)Cooling capacity	324.6	356.0	384.5	424.2	505.0
		电功率(kW)Power	119.4	131.6	143.6	159.6	185.4
接口 Coupling	出液管接口 Tube coupling	108	108	133	133	133	
	吸气管接口 Suction coupling	54	54	54	54	54	
外形尺寸 Overall dimensions	长(L) mm Length	3370	3370	3470	3700	3700	
	宽(B) mm Width	2050	2050	2100	2150	2150	
	高(H) mm Height	1860	1860	2100	2130	2130	

说明: 冷凝温度为40°C
Remarks: Condensing temperature is 40°C

(6)高翔牌螺杆水冷并联中高温系列
Water-cooled Medium and High Temperature Series

机组型号 Model of units		GXB90HBZG3	GXB120HBZG3	GXB150HBZG3	
适用蒸发温度(°C) Applicable Temperature(°C)		+10~-15°C			
制冷剂 Refrigerant		R22			
电源 Power supply		380V50Hz			
冷凝器 Condenser	形式 Form	高效壳管式 High efficient shell and tube Condenser			
	额定水流量(m³/h) Rated Water Flow	55	75	95	
	接管规格 Connection Size	4"	5"	6"	
冷却容量及功率 Cooling capacity & Power	蒸发温度 Evaporating Temperature 0°C	制冷量(kW)Cooling capacity	221.4	301.8	396.0
		电功率(kW)Power	68.7	90.6	113.4
	蒸发温度 Evaporating Temperature -5°C	制冷量(kW)Cooling capacity	183.0	249.9	108.6
		电功率(kW)Power	65.7	86.7	327.6
	蒸发温度 Evaporating Temperature -10°C	制冷量(kW)Cooling capacity	150.3	205.2	269.1
		电功率(kW)Power	63	83.1	104.1
接口 Coupling	出液管接口 Tube coupling	2×66	2×66	2×76	
	吸气管接口 Suction coupling	42	42	54	
外形尺寸 Overall dimensions	长(L) mm Length	2800	3000	3200	
	宽(B) mm Width	1750	1750	1750	
	高(H) mm Height	1470	1780	1790	

(6)高翔牌螺杆水冷并联中高温系列
Water-cooled Medium and High Temperature Series

机组型号 Model of units		GXB180HBZG3	GXB210HBZG3	GXB240HBZG3	
适用蒸发温度(°C) Applicable Temperature(°C)		+10~-15°C			
制冷剂 Refrigerant		R22			
电源 Power supply		380V50Hz			
冷凝器 Condenser	形式 Form	高效壳管式 High efficient shell and tube Condenser			
	额定水流量(m³/h) Rated Water Flow	130	140	170	
	接管规格 Connection Size	6"	6"	6"	
冷却容量及功率 Cooling capacity & Power	蒸发温度 Evaporating Temperature 0°C	制冷量(kW)Cooling capacity	525.6	576.9	718.2
		电功率(kW)Power	151.5	165.0	195.3
	蒸发温度 Evaporating Temperature -5°C	制冷量(kW)Cooling capacity	435.0	477.3	594.3
		电功率(kW)Power	145.2	158.1	187.2
	蒸发温度 Evaporating Temperature -10°C	制冷量(kW)Cooling capacity	357.3	392.1	486.9
		电功率(kW)Power	138.9	151.2	179.1
接口 Coupling	出液管接口 Tube coupling	2×108	2×108	2×108	
	吸气管接口 Suction coupling	54	54	54	
外形尺寸 Overall dimensions	长(L) mm Length	3700	3930	3930	
	宽(B) mm Width	2100	2100	2100	
	高(H) mm Height	1860	2100	2100	

说明: 冷凝温度为40°C
Remarks: Condensing temperature is 40°C

(7)高翔牌螺杆水冷并联中低温系列
Water-cooled Medium and Low Temperature Series

机组型号 Model of units		GXB60HBZD2	GXB80HBZD2	GXB100HBZD2	GXB120HBZD2	GXB140HBZD2	
适用蒸发温度(°C) Applicable Temperature(°C)		+10~-30°C					
制冷剂 Refrigerant		R22					
电源 Power supply		380V50Hz					
冷凝器 Condenser	形式 Form	高效壳管式 High efficient shell and tube Condenser					
	额定水流量(m³/h) Rated Water Flow	22	30	38	50	55	
	接管规格 Connection Size	2-1/2"	4"	4"	5"	6"	
冷却容量及功率 Cooling capacity & Power	蒸发温度 Evaporating Temperature -20°C	制冷量(kW)Cooling capacity	73.6	100.4	131.8	175.0	192.0
		电功率(kW)Power	43.0	56.6	71.0	94.6	103.2
	蒸发温度 Evaporating Temperature -25°C	制冷量(kW)Cooling capacity	60.2	82.2	107.6	143.0	157.0
		电功率(kW)Power	41.6	54.8	68.8	91.8	100.0
	蒸发温度 Evaporating Temperature -30°C	制冷量(kW)Cooling capacity	48.6	66.4	87.0	115.4	126.8
		电功率(kW)Power	40.2	52.8	66.4	88.6	96.4
接口 Coupling	出液管接口 Tube coupling	66	76	108	108	108	
	吸气管接口 Suction coupling	35	35	42	42	54	
外形尺寸 Overall dimensions	长(L) mm Length	2300	2300	2650	3090	3290	
	宽(B) mm Width	1550	1550	1750	1850	1840	
	高(H) mm Height	1470	1470	1470	1860	1860	

(7)高翔牌螺杆水冷并联中低温系列
Water-cooled Medium and Low Temperature Series

机组型号 Model of units		GXB160HBZD2	GXB180HBZD2	GXB200HBZD2	GXB220HBZD2	GXB250HBZD2	
适用蒸发温度(°C) Applicable Temperature(°C)		+10~-30°C					
制冷剂 Refrigerant		R22					
电源 Power supply		380V50Hz					
冷凝器 Condenser	形式 Form	高效壳管式 High efficient shell and tube Condenser					
	额定水流量(m³/h) Rated Water Flow	68	75	80	90	105	
	接管规格 Connection Size	6"	6"	6"	6"	6"	
冷却容量及功率 Cooling capacity & Power	蒸发温度 Evaporating Temperature -20°C	制冷量(kW)Cooling capacity	239.0	261.4	283.0	311.6	391.0
		电功率(kW)Power	122.2	134.4	146.8	163.2	189.4
	蒸发温度 Evaporating Temperature -25°C	制冷量(kW)Cooling capacity	195.4	213.6	231.4	254.6	303.2
		电功率(kW)Power	118.6	130.4	142.4	158.2	183.8
	蒸发温度 Evaporating Temperature -30°C	制冷量(kW)Cooling capacity	158.0	172.8	187.0	205.8	245.0
		电功率(kW)Power	114.2	125.8	137.2	152.6	177.2
接口 Coupling	出液管接口 Tube coupling	108	108	133	133	133	
	吸气管接口 Suction coupling	54	54	54	54	54	
外形尺寸 Overall dimensions	长(L) mm Length	3370	3370	3470	3700	3700	
	宽(B) mm Width	2010	2010	2100	2140	2140	
	高(H) mm Height	1860	1860	2100	2130	2130	

说明: 冷凝温度为40°C,带经济器运行。
Remarks: Condensing temperature is 40°C, operating with economizer.

(8)高翔牌螺杆水冷并联中低温系列
Water-cooled Medium and Low Temperature Series

机组型号 Model of units		GXB90HBZD3	GXB120HBZD3	GXB150HBZD3	GXB180HBZD3	GXB210HBZD3	
适用蒸发温度(°C) Applicable Temperature(°C)		+10~-30°C					
制冷剂 Refrigerant		R22					
电源 Power supply		380V50Hz					
冷凝器 Condenser	形式 Form	高效壳管式 High efficient shell and tube Condenser					
	额定水流量(m³/h) Rated Water Flow	33	45	57	76	83	
	接管规格 Connection Size	4"	5"	6"	6"	6"	
冷却容量及功率 Cooling capacity & Power	蒸发温度 Evaporating Temperature -20°C	制冷量(kW)Cooling capacity	110.4	150.6	197.7	262.5	288.0
		电功率(kW)Power	64.5	84.9	106.5	141.9	154.8
	蒸发温度 Evaporating Temperature -25°C	制冷量(kW)Cooling capacity	90.3	124.2	161.4	214.5	235.5
		电功率(kW)Power	62.4	82.2	103.2	137.7	150.0
	蒸发温度 Evaporating Temperature -30°C	制冷量(kW)Cooling capacity	72.9	99.6	130.5	173.1	190.2
		电功率(kW)Power	60.3	79.2	99.6	132.9	144.0
接口 Coupling	出液管接口 Tube coupling	2×66	2×66	2×76	2×108	2×108	
	吸气管接口 Suction coupling	42	42	54	54	54	
外形尺寸 Overall dimensions	长(L) mm Length	2800	3000	3200	3700	3930	
	宽(B) mm Width	1750	1750	1750	2100	2100	
	高(H) mm Height	1470	1780	1790	1860	2100	

(8)高翔牌螺杆水冷并联中低温系列
Water-cooled Medium and Low Temperature Series

机组型号 Model of units		GXB240HBD3	GXB270HBZD3	GXB300HBZD3	
适用蒸发温度(°C) Applicable Temperature(°C)		+10~-30°C			
制冷剂 Refrigerant		R22			
电源 Power supply		380V50Hz			
冷凝器 Condenser	形式 Form	高效壳管式 High efficient shell and tube Condenser			
	额定水流量(m³/h) Rated Water Flow	102	112	121	
	接管规格 Connection Size	6"	6"	6"	
冷却容量及功率 Cooling capacity & Power	蒸发温度 Evaporating Temperature -20°C	制冷量(kW)Cooling capacity	358.5	392.1	424.5
		电功率(kW)Power	184.8	201.6	220.2
	蒸发温度 Evaporating Temperature -25°C	制冷量(kW)Cooling capacity	293.1	320.4	347.1
		电功率(kW)Power	177.9	195.6	213.6
	蒸发温度 Evaporating Temperature -30°C	制冷量(kW)Cooling capacity	237.0	259.2	280.5
		电功率(kW)Power	171.3	188.7	205.8
接口 Coupling	出液管接口 Tube coupling	2×108	2×108	2×108	
	吸气管接口 Suction coupling	54	54	54	
外形尺寸 Overall dimensions	长(L) mm Length	3930	3930	3930	
	宽(B) mm Width	2100	2200	2200	
	高(H) mm Height	2100	2100	2100	

说明: 冷凝温度为40°C,带经济器运行。
Remarks: Condensing temperature is 40°C, operating with economizer.

(9)高翔牌螺杆风冷并联中高温系列
Air-cooled Medium and High Temperature Series

机组型号 Model of units		GXB60HBFZG2	GXB80HBFZG2	GXB100HBFZG2	GXB120HBFZG2	GXB140HBFZG2	
适用蒸发温度(°C) Applicable Temperature(°C)		+10~-15°C					
制冷剂 Refrigerant		R22					
电源 Power supply		380V50Hz					
冷却容量及功率 Cooling capacity & Power	蒸发温度 Evaporating Temperature 0°C	制冷量(kW)Cooling capacity	134.2	182.8	239.8	318.2	349.2
		电功率(kW)Power	51.6	68.0	85.4	114.0	124.2
	蒸发温度 Evaporating Temperature -5°C	制冷量(kW)Cooling capacity	110.4	150.4	197.4	262.2	287.8
		电功率(kW)Power	49.6	65.2	81.8	109.2	119.0
	蒸发温度 Evaporating Temperature -10°C	制冷量(kW)Cooling capacity	90.4	123.2	161.6	214.4	235.4
		电功率(kW)Power	47.4	62.4	78.4	104.6	114.0
接口 Coupling	吸气管接口 Suction coupling	66	76	108	108	108	
	出液管接口 Tube coupling	42	42	76	76	76	
	排气接口 Discharge coupling	35	35	42	42	42	
	进液接口 Suction coupling	35	35	32	32	32	
外形尺寸 Overall dimensions	长(L) mm Length	2300	2300	2650	3090	3290	
	宽(B) mm Width	1500	1500	1650	1850	1850	
	高(H) mm Height	1460	1460	1470	1860	1860	

(9)高翔牌螺杆风冷并联中高温系列
Air-cooled Medium and High Temperature Series

机组型号 Model of units		GXB160HBFZG2	GXB180HBFZG2	GXB200HBFZG2	GXB220HBFZG2	GXB240HBFZG2	
适用蒸发温度(°C) Applicable Temperature(°C)		+10~-15°C					
制冷剂 Refrigerant		R22					
电源 Power supply		380V50Hz					
冷却容量及功率 Cooling capacity & Power	蒸发温度 Evaporating Temperature 0°C	制冷量(kW)Cooling capacity	434.8	475.8	515.0	567.0	674.6
		电功率(kW)Power	147.0	162.0	176.6	196.4	228.0
	蒸发温度 Evaporating Temperature -5°C	制冷量(kW)Cooling capacity	358.4	392.0	424.4	467.2	556.0
		电功率(kW)Power	140.8	155.2	169.2	188.2	218.6
	蒸发温度 Evaporating Temperature -10°C	制冷量(kW)Cooling capacity	293.0	320.8	347.0	382.2	454.6
		电功率(kW)Power	135.0	148.6	162.0	180.2	209.4
接口 Coupling	吸气管接口 Suction coupling	108	108	133	133	133	
	出液管接口 Tube coupling	54	54	54	54	54	
	排气接口 Discharge coupling	76	76	108	108	108	
	进液接口 Suction coupling	54	54	66	66	66	
外形尺寸 Overall dimensions	长(L) mm Length	2300	2300	2650	3090	3290	
	宽(B) mm Width	1500	1500	1650	1850	1850	
	高(H) mm Height	1460	1460	1470	1860	1860	

说明: 环境温度为32°C
Remarks: Ambient temperature is 32°C

(10)高翔牌螺杆风冷并联中高温系列
Air-cooled Medium and High Temperature Series

机组型号 Model of units		GXB90HBFZG3	GXB120HBFZG3	GXB150HBFZG3	GXB180HBFZG3	GXB210HBFZG3	
适用蒸发温度(°C) Applicable Temperature(°C)		+10~-15°C					
制冷剂 Refrigerant		R22					
电源 Power supply		380V50Hz					
冷却容量及功率 Cooling capacity & Power	蒸发温度 Evaporating Temperature 0°C	制冷量(kW)Cooling capacity	201.3	274.2	359.7	477.3	523.8
		电功率(kW)Power	77.4	102.0	128.1	171.0	186.3
	蒸发温度 Evaporating Temperature -5°C	制冷量(kW)Cooling capacity	165.6	225.6	296.1	393.3	431.7
		电功率(kW)Power	74.4	97.8	122.7	163.8	178.5
	蒸发温度 Evaporating Temperature -10°C	制冷量(kW)Cooling capacity	135.6	184.8	242.4	321.6	353.1
		电功率(kW)Power	71.1	93.6	117.6	156.9	163.8
接口 Coupling	吸气管接口 Suction coupling	2×66	2×66	2×76	2×108	2×108	
	出液管接口 Tube coupling	42	76	76	76	108	
	排气接口 Discharge coupling	42	42	54	54	54	
	进液接口 Suction coupling	42	42	54	66	66	
外形尺寸 Overall dimensions	长(L) mm Length	2800	3000	3200	3700	3930	
	宽(B) mm Width	1500	1600	1700	1900	2050	
	高(H) mm Height	1470	1780	1790	1860	2100	

(10)高翔牌螺杆风冷并联中高温系列
Air-cooled Medium and High Temperature Series

机组型号 Model of units		GXB240HBFZG3	GXB270HBFZG3	GXB300HBFZG3	
适用蒸发温度(°C) Applicable Temperature(°C)		+10~-15°C			
制冷剂 Refrigerant		R22			
电源 Power supply		380V50Hz			
冷却容量及功率 Cooling capacity & Power	蒸发温度 Evaporating Temperature -20°C	制冷量(kW)Cooling capacity	652.2	713.7	772.5
		电功率(kW)Power	220.5	243.0	264.9
	蒸发温度 Evaporating Temperature -25°C	制冷量(kW)Cooling capacity	537.6	658.8	636.6
		电功率(kW)Power	211.2	232.8	253.8
	蒸发温度 Evaporating Temperature -30°C	制冷量(kW)Cooling capacity	439.5	481.2	520.5
		电功率(kW)Power	202.5	222.9	243.0
接口 Coupling	吸气管接口 Suction coupling	2×108	2×108	2×108	
	出液管接口 Tube coupling	54	54	54	
	排气接口 Discharge coupling	108	108	108	
	进液接口 Suction coupling	66	66	66	
外形尺寸 Overall dimensions	长(L) mm Length	3930	3930	3930	
	宽(B) mm Width	2040	2140	2140	
	高(H) mm Height	2100	2100	2100	

说明: 环境温度为32°C。
Remarks: Ambient temperature is 32°C.

(11)高翔牌螺杆风冷并联中低温系列
Air-cooled Medium and Low Temperature Series

机组型号 Model of units		GXB60HBFZD2	GXB80HBFZD2	GXB100HBFZD2	GXB120HBFZD2	GXB140HBFZD2	
适用蒸发温度(°C) Applicable Temperature(°C)		+10~-30°C					
制冷剂 Refrigerant		R22					
电源 Power supply		380V50Hz					
冷却容量及功率 Cooling capacity & Power	蒸发温度 Evaporating Temperature 20°C	制冷量(kW)Cooling capacity	68.6	93.6	122.8	162.8	178.8
		电功率(kW)Power	49.6	65.2	81.8	109.2	119.0
	蒸发温度 Evaporating Temperature -25°C	制冷量(kW)Cooling capacity	61.8	76.2	100.0	132.8	155.6
		电功率(kW)Power	56	63.2	79.2	105.8	115.2
	蒸发温度 Evaporating Temperature -30°C	制冷量(kW)Cooling capacity	45	61.6	80.6	117.2	117.4
		电功率(kW)Power	44.2	59	76.4	100.4	111.2
接口 Coupling	吸气管接口 Suction coupling	66	76	108	108	108	
	出液管接口 Tube coupling	35	35	42	42	42	
	排气接口 Discharge coupling	42	42	76	76	76	
	进液接口 Suction coupling	35	35	42	42	42	
外形尺寸 Overall dimensions	长(L) mm Length	2300	2300	2650	3090	3290	
	宽(B) mm Width	1500	1500	1650	1850	1850	
	高(H) mm Height	1460	1460	1470	1860	1860	

(11)高翔牌螺杆风冷并联中低温系列
Air-cooled Medium and Low Temperature Series

机组型号 Model of units		GXB160HBFZD2	GXB180HBFZD2	GXB200HBFZD2	GXB220HBFZD2	GXB240HBFZD2	
适用蒸发温度(°C) Applicable Temperature(°C)		+10~-30°C					
制冷剂 Refrigerant		R22					
电源 Power supply		380V50Hz					
冷却容量及功率 Cooling capacity & Power	蒸发温度 Evaporating Temperature 20°C	制冷量(kW)Cooling capacity	222.6	243.4	263.6	290.2	345.2
		电功率(kW)Power	141.0	155.2	169.4	188.2	218.6
	蒸发温度 Evaporating Temperature -25°C	制冷量(kW)Cooling capacity	181.4	198.4	214.8	236.4	281.4
		电功率(kW)Power	136.4	150.2	163.8	182.2	211.6
	蒸发温度 Evaporating Temperature -30°C	制冷量(kW)Cooling capacity	146.2	160.0	173.2	190.8	227.0
		电功率(kW)Power	131.6	145.0	158.2	175.8	204.2
接口 Coupling	吸气管接口 Suction coupling	108	108	133	133	133	
	出液管接口 Tube coupling	54	54	54	54	54	
	排气接口 Discharge coupling	76	76	108	108	108	
	进液接口 Suction coupling	54	54	66	66	66	
外形尺寸 Overall dimensions	长(L) mm Length	3370	3370	3470	3700	3700	
	宽(B) mm Width	2010	2010	2100	2140	2140	
	高(H) mm Height	1860	1860	2100	2130	2130	

说明: 环境温度为32°C,带经济器运行。
Remarks: Ambient temperature is 32°C, operating with economizer.

(12)高翔牌螺杆风冷并联中低温系列
Air-cooled Medium and Low Temperature Series

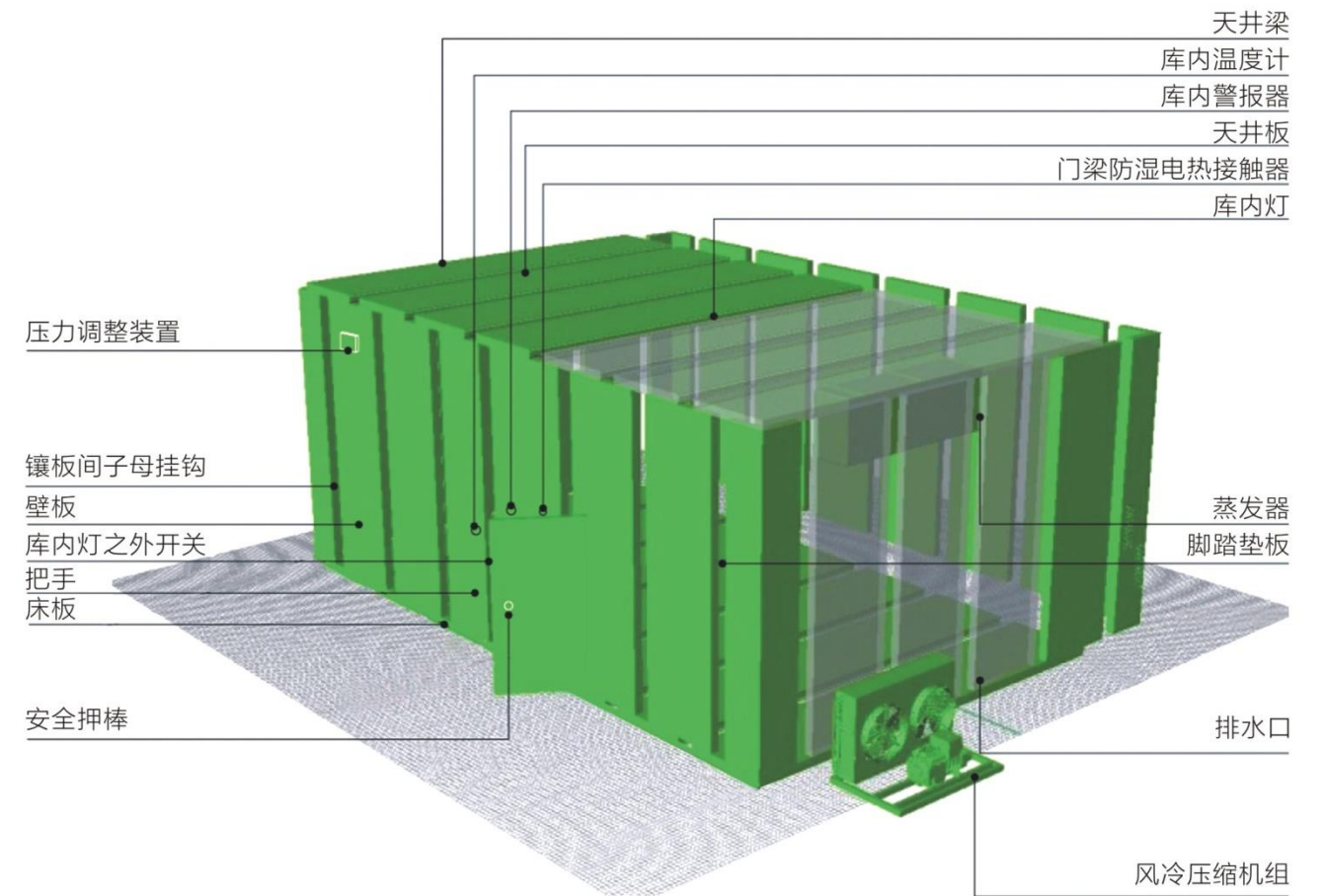
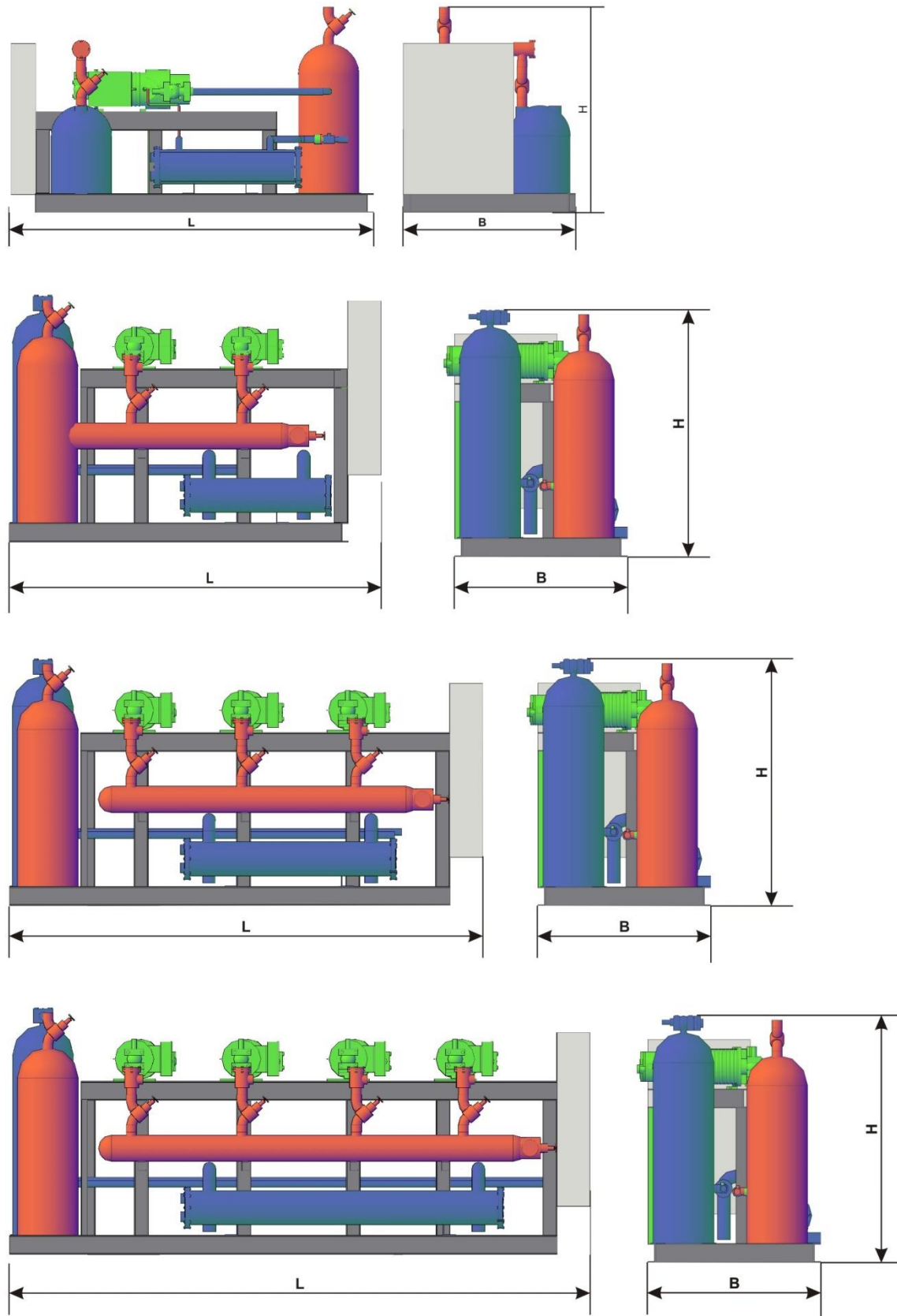
机组型号 Model of units		GXB90HBFZD3	GXB120HBFZD3	GXB150HBFZD3	GXB180HBFZD3	GXB210HBFZD3	
适用蒸发温度(°C) Applicable Temperature(°C)		+10~-30°C					
制冷剂 Refrigerant		R22					
电源 Power supply		380V50Hz					
冷却容量及功率 Cooling capacity & Power	蒸发温度 Evaporating Temperature 20°C	制冷量(kW)Cooling capacity	117.3	160.0	210.1	278.8	306.1
		电功率(kW)Power	74.4	97.8	122.7	163.8	178.5
	蒸发温度 Evaporating Temperature -25°C	制冷量(kW)Cooling capacity	92.8	126.3	165.8	220.2	241.7
		电功率(kW)Power	72	94.8	118.8	158.7	172.8
	蒸发温度 Evaporating Temperature -30°C	制冷量(kW)Cooling capacity	77.1	101.0	132.2	175.8	192.8
		电功率(kW)Power	66.3	88.5	114.6	150.6	166.8
接口 Coupling	吸气管接口 Suction coupling	2×66	2×66	2×76	2×108	2×108	
	出液管接口 Tube coupling	42	42	54	54	54	
	排气接口 Discharge coupling	54	76	76	76	108	
	进液接口 Suction coupling	42	42	54	54	66	
外形尺寸 Overall dimensions	长(L) mm Length	2800	3000	3200	3700	3930	
	宽(B) mm Width	1570	1630	1690	1910	2040	
	高(H) mm Height	1460	1780	1790	1860	2100	

(12)高翔牌螺杆风冷并联中低温系列
Air-cooled Medium and Low Temperature Series

机组型号 Model of units		GXB240HBFZD3	GXB270HBFZD3	GXB300HBFZD3	
适用蒸发温度(°C) Applicable Temperature(°C)		+10~-30°C			
制冷剂 Refrigerant		R22			
电源 Power supply		380V50Hz			
冷却容量及功率 Cooling capacity & Power	蒸发温度 Evaporating Temperature 20°C	制冷量(kW)Cooling capacity	380.9	416.7	451.3
		电功率(kW)Power	211.5	232.8	254.1
	蒸发温度 Evaporating Temperature -25°C	制冷量(kW)Cooling capacity	300.9	329.1	256.4
		电功率(kW)Power	204.6	225.3	245.7
	蒸发温度 Evaporating Temperature -30°C	制冷量(kW)Cooling capacity	239.9	262.5	284.3
		电功率(kW)Power	197.4	217.5	237.3
接口 Coupling	吸气管接口 Suction coupling	2×108	2×108	2×108	
	出液管接口 Tube coupling	54	54	54	
	排气接口 Discharge coupling	108	108	108	
	进液接口 Suction coupling	66	66	66	
外形尺寸 Overall dimensions	长(L) mm Length	3930	3930	3930	
	宽(B) mm Width	2040	2140	2140	
	高(H) mm Height	2100	2100	2100	

说明: 环境温度为32°C,带经济器运行。
Remarks: Ambient temperature is 32°C, operating with economizer.

高翔牌螺杆并联机组示意图

**说明 NOTES:**

● 制造、安装的高翔牌组合冷库，速冻系列冷库，涵盖高温保鲜库、中温冷藏库、低温速冻库、冻结库。库容量从十几吨至上万吨，还可根据客户要求设计。（500立方以下的农业冷库项目可直接申请获得当地的农业财政补贴）

● Manufacture, installation of the combination of cold room card Gaoxiang, frozen series of cold room, covering high-temperature Cold room, the temperature in cold room, low temperature Sudong library, frozen library. From more than ten tons of storage capacity First million tons, but also acustomer requirements. (500 cubic meters of agricultural under coldlibrary project to apply for direct financsubsidies to local agriculture)

